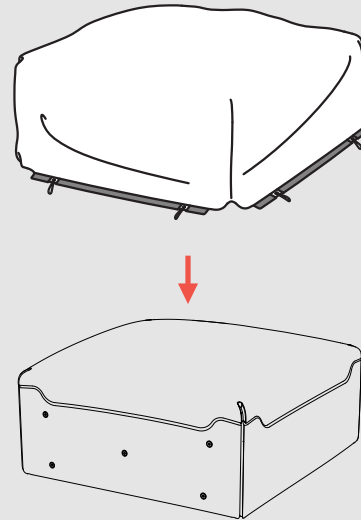


Costume Lounge

design Stefan Diez, 2021, 2024

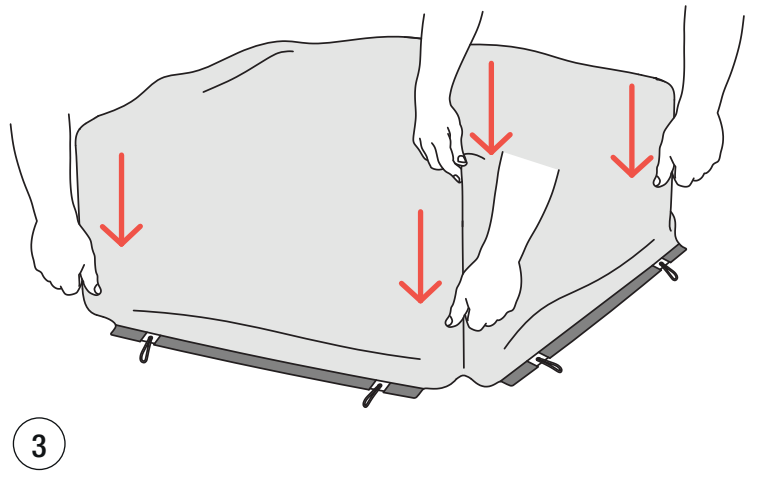
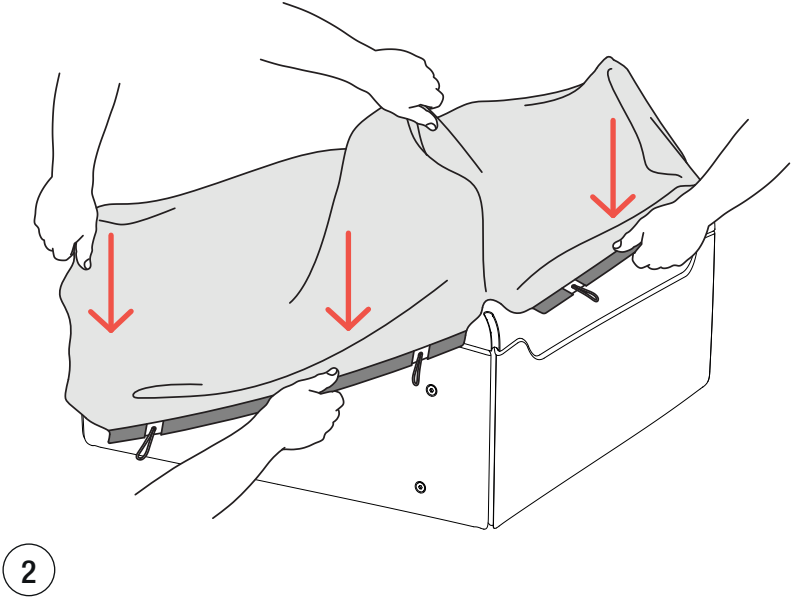
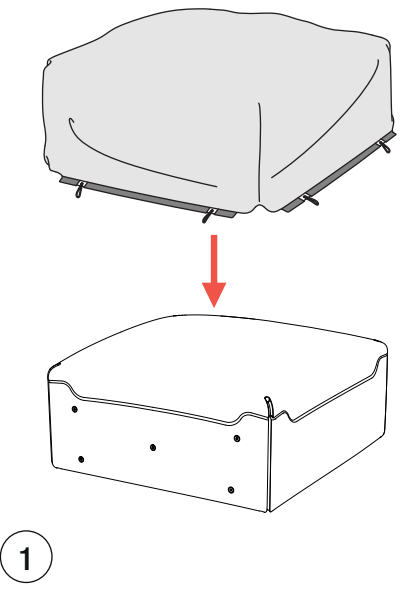


Instructions for dressing the ottoman
Instrucciones para vestir la otomana
Instructions pour revêtir l'ottoman
Anleitung zum Beziehen eines Ottomans
Istruzioni per vestire l'ottoman
オットマンのカバー取付方法
摺脚凳套安装的方法说明

MAGIS
MADE IN ITALY

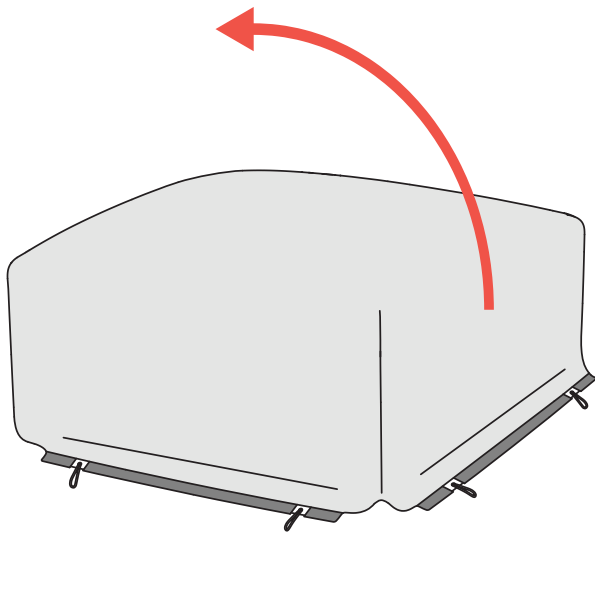
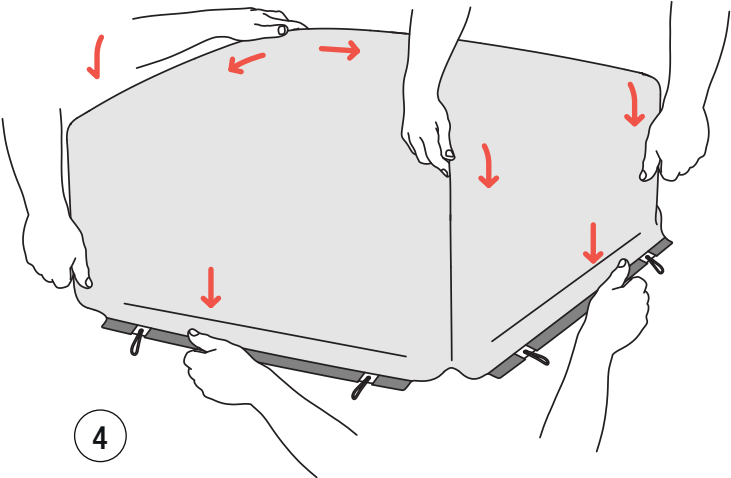
Costume Lounge

design Stefan Diez, 2021, 2024



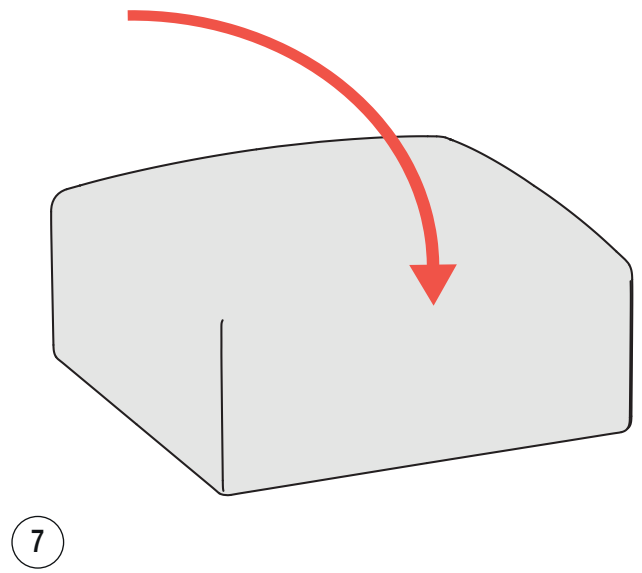
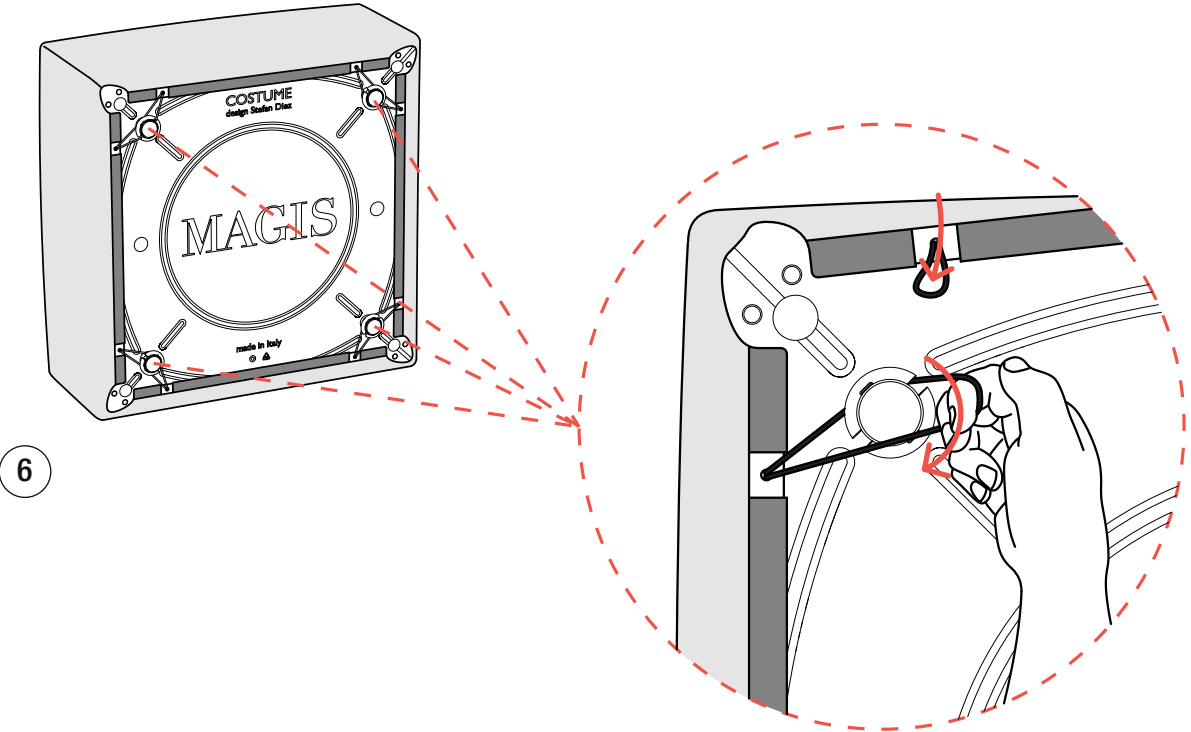
Costume Lounge

design Stefan Diez, 2021, 2024



Costume Lounge

design Stefan Diez, 2021, 2024



MAGIS

MAGIS

Magis Spa

Via Triestina - Accesso E
Z.I. Ponte Tezze
30020 Torre di Mosto (VE) Italy
Ph +39 0421 319600
info@magisdesign.com
www.magisdesign.com