

MAGIS

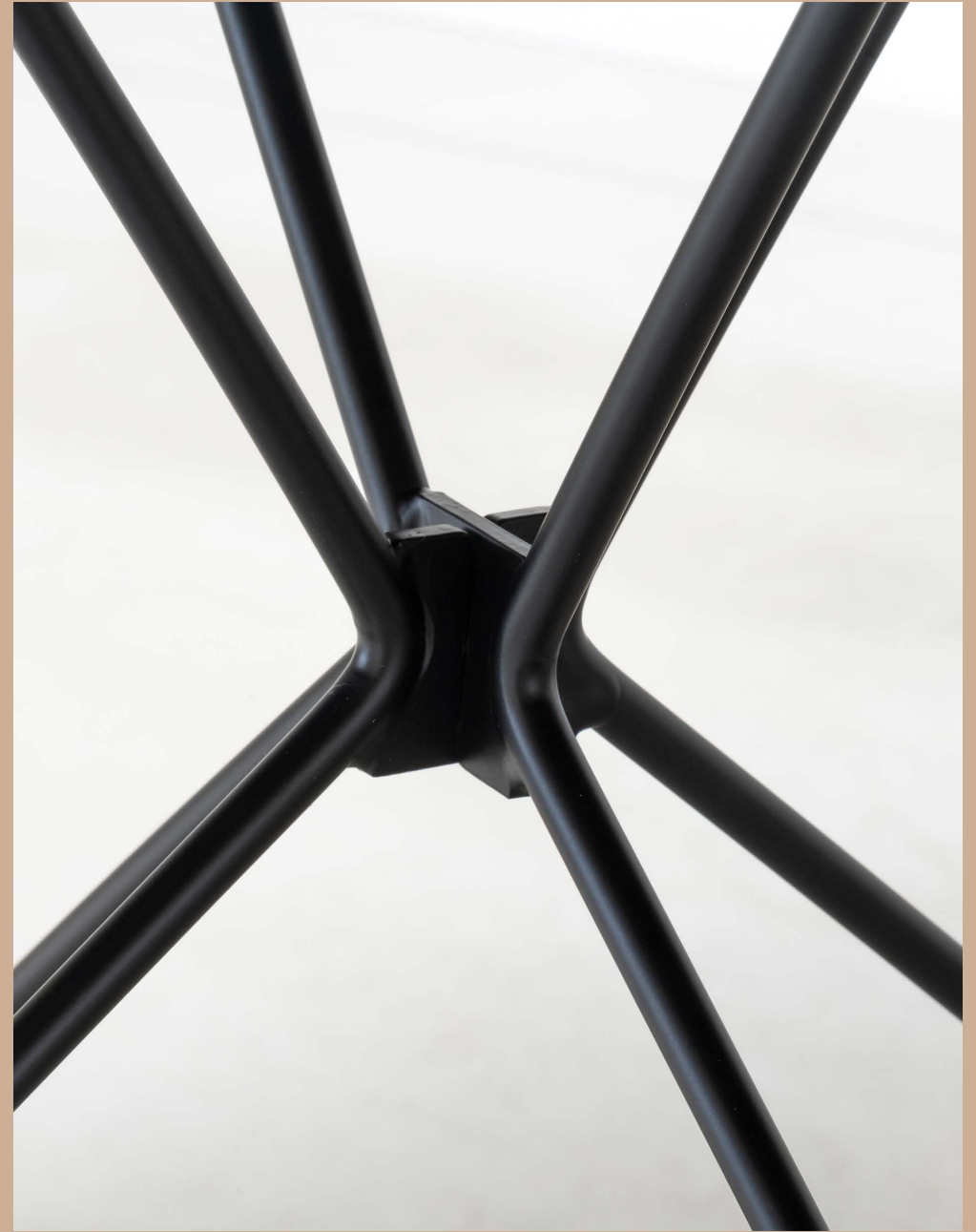
XZ3 by Magis



Design and

Developed by Magis in 1990, and redesigned in 2003, XZ3 is a table featuring a chromed or epoxy painted steel rod structure with an architectural style reminiscent of a slender pylon, a graphic convergence of lines, on which sits a rectangular, round or oval top in MDF, Carrara marble or American walnut.

Suitable for a wide range of uses, from the dining room to the meeting room, XZ3 looks great with a number of different chairs from the Magis collection.



Engineering



Information



Product

OVAL VERSION

Frame in steel rod, chromed or painted in epoxy resin. Top in MDF painted or veneered oak.

ROUND VERSION

Frame in steel rod chromed or painted in epoxy resin or coated in gold or copper. Top in Carrara marble white, in solid American walnut or in MDF painted or veneered oak.



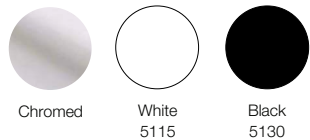
200x119



Frame /	Top /
Colours	MDF painted
Colours	MDF veneered oak natural or dark
Colours	MDF veneered oak thermo-treated

Materials /

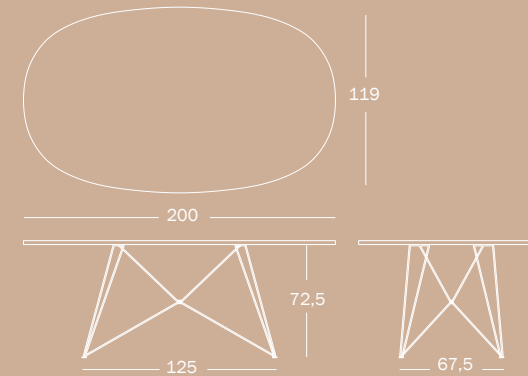
Frame in steel rod /



Top /



200x119



PRODUCT CARE

We recommend using a soft rag, either dry or wet. When needed, use ph-balanced soap diluted in water. Do not use abrasive sponges as they may leave scratches. Avoid using acidic products, solvents and products containing ammonia. We recommend cleaning the MDF tops as soon as possible, as giving dirt time to dry can noticeably increase the risk of rings, stains, and surface damages. We recommend paying particular attention to intensely coloured substances (such as coffee, cola, tomato juice, wine, vinegar...). For tops in marble, please avoid using acid products. In case of contact of any acid substance with the marble surface, please remove it immediately. We recommend using water and Marseilles soap for marble cleaning. To remove greasy substances and various stains it is possible to use ammoniacs, denatured alcohol, bicarbonate and hydrogen peroxide. Any marks, signs or irregularities that may be visible on the marble tops are peculiarities of the materials and should not be considered as faults. For tops in wood, we recommend using ph-balanced liquid soap especially formulated for wood, diluted in water. Periodic and correct maintenance allows the product to keep its original aspect and lengthens the duration of its performance.

WARNING

Do not use different cleaning products from the ones mentioned above. Do not use the product in an improper way. Do not place hot objects on it, stand on it or use the product as a ladder. Once disused, please make sure that this product is disposed in an environment-friendly way.



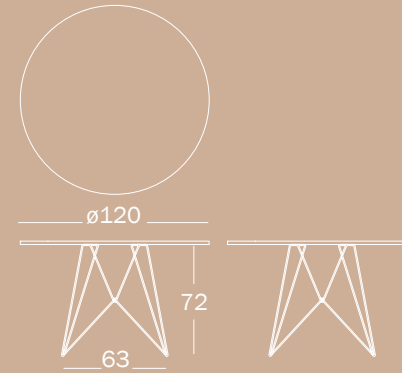
P.38

clic
bum
ah

Ø120

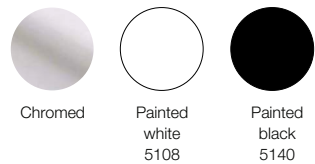


Frame /	Top /
Colours cat 1	MDF painted
Colours cat 2	MDF painted
Colours cat 1	Carrara marble white
Colours cat 2	Carrara marble white
Colours cat 1	American walnut
Colours cat 2	American walnut
Colours cat 1	MDF veneered oak natural or dark
Colours cat 2	MDF veneered oak thermo-treated
Colours cat 1	MDF veneered oak natural or dark
Colours cat 2	MDF veneered oak thermo-treated



Materials /

Frame in steel rod cat 1/



Frame in steel rod cat 2/



Top /



PRODUCT CARE

We recommend using a soft rag, either dry or wet. When needed, use ph-balanced soap diluted in water. Do not use abrasive sponges as they may leave scratches. Avoid using acidic products, solvents and products containing ammonia. We recommend cleaning the MDF tops as soon as possible, as giving dirt time to dry can noticeably increase the risk of rings, stains, and surface damages. We recommend paying particular attention to intensely coloured substances (such as coffee, cola, tomato juice, wine, vinegar...). For tops in marble, please avoid using acid products. In case of contact of any acid substance with the marble surface, please remove it immediately. We recommend using water and Marseilles soap for marble cleaning. To remove greasy substances and various stains it is possible to use ammoniacs, denatured alcohol, bicarbonate and hydrogen peroxide. Any marks, signs or irregularities that may be visible on the marble tops are peculiarities of the materials and should not be considered as faults. For tops in wood, we recommend using ph-balanced liquid soap especially formulated for wood, diluted in water. Periodic and correct maintenance allows the product to keep its original aspect and lengthens the duration of its performance.

WARNING

Do not use different cleaning products from the ones mentioned above. Do not use the product in an improper way. Do not place hot objects on it, stand on it or use the product as a ladder. Once disused, please make sure that this product is disposed in an environment-friendly way.



