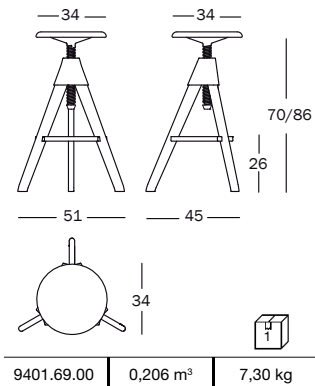


Tom - The Wild Bunch
Design Konstantin Grcic, 2012

Swivel stool, adjustable in height.

Seat and frame in solid beech natural or stained. Joint and screw in polypropylene with glass fibre added.

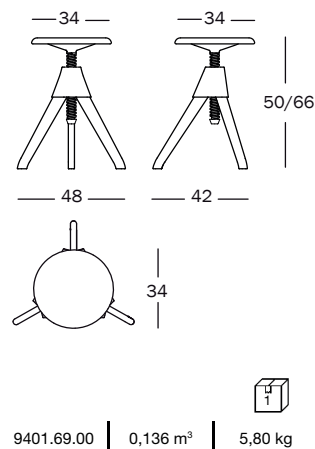


Art. nr.	Seat and frame in solid beech	Joint and screw in polypropylene
SD1850	natural 7011	colours
SD1852	black 7140	black 1754 C

Jerry - The Wild Bunch
Design Konstantin Grcic, 2012



Swivel stool, adjustable in height.

Seat and frame in solid beech natural or stained. Joint and screw in polypropylene with glass fibre added.



Art. nr.	Seat and frame in solid beech	Joint and screw in polypropylene
SD1854	natural 7011	colours
SD1856	black 7140	black 1754 C

Seat and frame in solid beech

-  natural 7011
-  black 7140

Joint and screw in polypropylene

-  orange 1780 C
-  light blue 1781 C
-  white 1735 C
-  yellow 1784 C (*)
-  black 1754 C
-  red 1782 C
-  green 1783 C

Test Tom - The Wild Bunch
ANSI-BIFMA X5.1-2011
Foot rest fatigue test EN 15373:2007, L3
Information for use EN 15373:2007
Seat and back fatigue test EN 15373:2007, L3
Seat front edge fatigue test EN 15373:2007, L3
Stability EN 1335-3:2009 AC:2009
Back impact test EN 15373:2007, L3
Foot rest static load test EN 15373:2007, L3
Safety requirements EN 15373:2007
Seat and back static load test EN 15373:2007, L3
Seat impact test EN 15373:2007, L3

Test Jerry - The Wild Bunch
ANSI-BIFMA X5.1-2011
Seat and back fatigue test EN 15373:2007, L3
Seat front edge fatigue test EN 15373:2007, L3
Stability EN 1022:2005
Back impact test EN 15373:2007, L3
Seat and back static load test EN 15373:2007, L3
Seat impact test EN 15373:2007, L3

(*)Note: while stocks last

