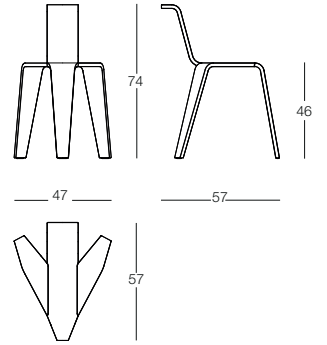


AKA

Design Konstantin Grcic, 2022

Stool.


In aniline-dyed beech plywood, natural or stained.




9401.69.00 | 0,269 m³ | 10,10 kg

| Art. nr. | Stool in aniline-dyed beech |
|----------|-----------------------------|
| SD170 | natural 7011 |
| SD170 | stained black |
| SD170 | stained petrol blue |

Stool in aniline-dyed beech

 natural 7011

 stained black 7140

 stained petrol blue 7151

Test

ANSI-BIFMA X5.4-2020/21
Leg sideways static load test EN 1728:2012+AC:2013, L2
Leg forward static load test EN 1728:2012+AC:2013, L2
Seat and back static load test EN 1728:2012+AC:2013, L2
Vertical load on back rest EN 1728:2012+AC:2013, L2
Seat and back fatigue test EN 1728:2012+AC:2013, L2
Seat front edge durability test EN 1728:2012+AC:2013, L2
Seat impact test EN 1728:2012+AC:2013, L2
Back impact test EN 1728:2012+AC:2013, L2

Stability EN 1022:2005
Stability EN 1022:2018
Safety requirements EN 16139:2013
Information for use EN 16139:2013

