

MAGIS

Officina - Accessories



by Ronan & Erwan Bouroullec

Ronan & Erwan Bouroullec



Profile:

Ronan Bouroullec (born in 1971) and Erwan Bouroullec (born in 1976) have been working together for more than twenty years now. Their collaboration is a permanent dialogue, nourished by their distinct personalities and a shared notion of diligence, with the intention to achieve greater balance and refinement.

In 1997, they presented their Disintegrated Kitchen at the Salon du Meuble in Paris, where it was spotted by Giulio Cappellini, who gave them their first industrial design commissions. The Bouroullecs have been working with Magis since 2004, designing three complete furniture collections – Striped, Steelwood and Officina – as well as additional projects such as Pila chair, Pilo table, Central and Tambour tables. These days, Ronan and Erwan Bouroullec design for numerous manufacturers, including Magis, Vitra, Kvadrat, Kartell, Established and Sons, Ligne Roset, Axor, Alessi, Issey Miyake, Cappellini, Mattiazzi, Flos, Mutina,

Hay and more recently Glas Italia and Iittala. They also continue to carry out their own experimental activity which is essential to the development of their work at Galerie kreò, Paris, where four exhibitions of their designs were held between 2001 and 2012. They also embark on occasional architectural projects.

Voted Designers of the Year at the Salon du Meuble in 2002, their other awards include the Compasso d'Oro won in 2011 for the Steelwood chair they designed for Magis. Several exhibitions have been devoted to their work.

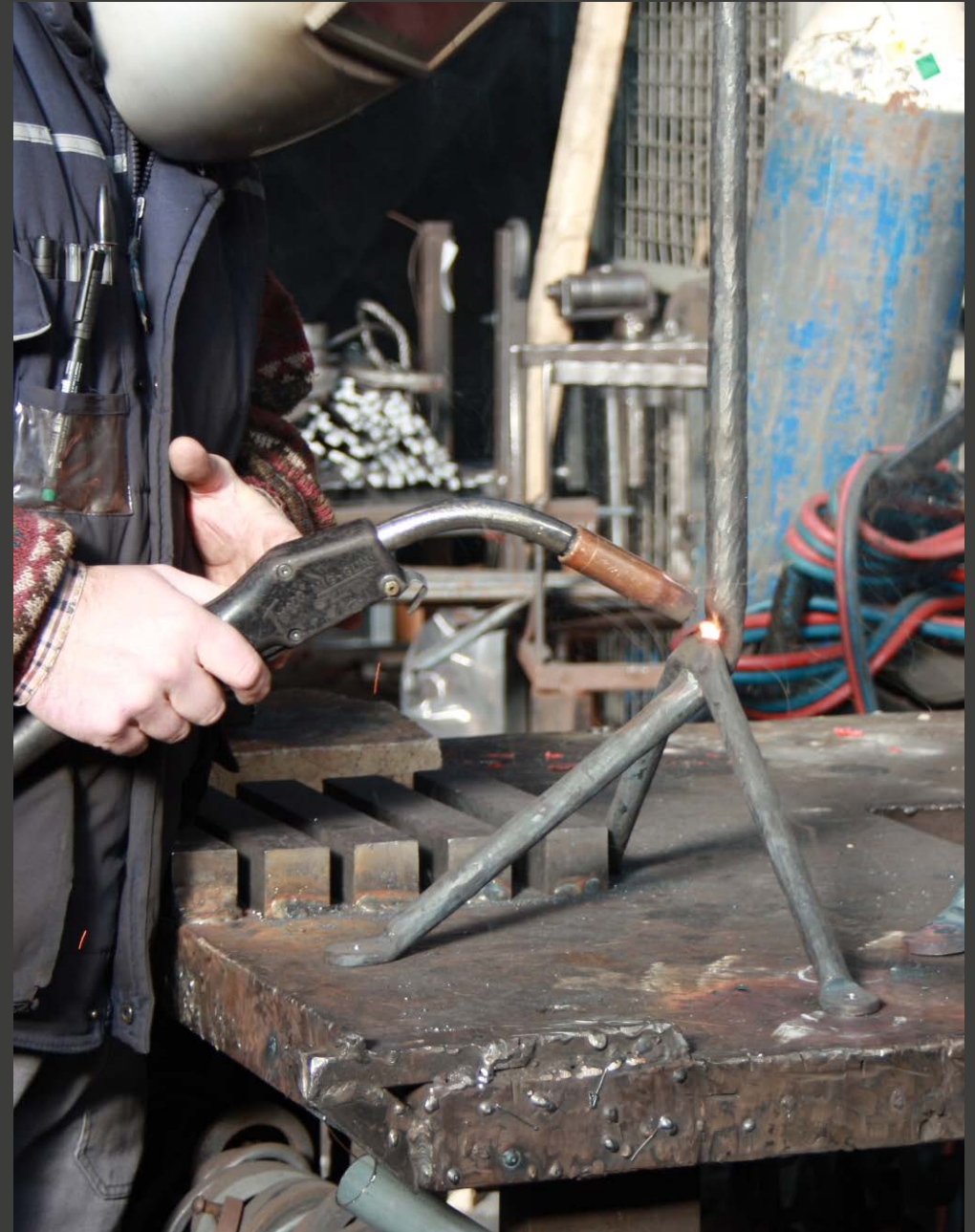
In 2012, Phaidon Press published *Works*, a comprehensive monographic book about Ronan and Erwan Bouroullec. Previously, two other monographs had been published about the Bouroullec brothers' design work: *Ronan et Erwan Bouroullec – Catalogue de Raison* (Paris: Images Modernes / kreò, 2002) and *Ronan et Erwan Bouroullec* (Paris: Phaidon Press, 2003).



Design and

Forging, the process used to shape iron, pressing it between the hammer and anvil, has a history that stretches back over millennia. Throughout the ages, this technique has been used to create an infinite number of everyday objects and decorative artefacts. The Officina collection explores the possibility of establishing a new creative language while working with an ancient fabrication process such as iron forging. The collection includes tables and low tables, chairs, low chairs, stools, benches, a series of accessories (from coat stands to a valet stand to candelabras and mirror) and upholstered pieces (two armchairs, an ottoman and two-and three seater sofas). All these pieces feature a forged iron structure with the allure of a raw material handed down through the centuries, alive, with those slight imperfections that make each piece in this collection unique, with an unmistakably industrial feel, but combined with a profoundly refined and elegant spirit.

Ronan & Erwan Bouroullec



Engineering



“ The essence of wrought iron is imperfect, li-



vely and close to drawing techniques ”



Information



Product

VALET STAND

Frame in wrought iron, painted in polyester powder. Coat hanger and tray in rubber.

MIRROR

Frame in wrought iron, painted in polyester powder. Double sided mirror with protective back film.

COAT STAND

Frame in wrought iron, painted in polyester powder. Hooks in rubber.

WALL COAT HANGER

Frame in wrought iron, painted in polyester powder. Hooks in rubber.

FLOOR CANDLE HOLDER

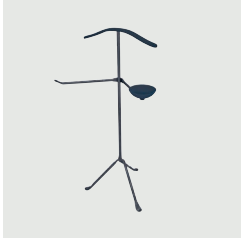
In wrought iron cataphoretically treated and painted in polyester powder. For candles with a diameter of 23 mm. Candles not included.

FLOOR CANDLE HOLDER / TREE

Wrought iron, galvanized or cataphoretically treated and painted in polyester powder. For candles with a diameter of 23 mm. Candles not included.



VALET STAND



Frame / grey anthracite 5142
Tray in rubber / black 1770 C

MIRROR



Frame / grey anthracite 5142

Materials /

Rubber /



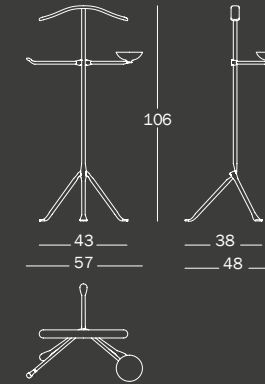
Black
1770 C

Frame in wrought iron /

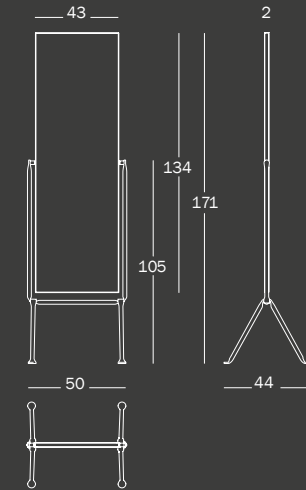


Grey anthracite 5142

Valet stand



Mirror



PRODUCT CARE

We recommend using a soft rag, either dry or wet. When needed, use ph-balanced soap diluted in water. Do not use abrasive sponges as they may leave scratches. Avoid using acidic products, solvents and products containing ammonia. Periodic maintenance and cleaning allow the product to keep its original look and lengthen the duration of its performance.

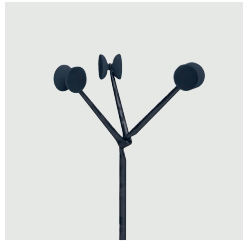
Wipe clean the mirror with a cloth dampened in water or window-cleaner. Wipe dry with a clean cloth.

WARNING

Do not use different cleaning products from the ones mentioned above. Do not use the product in an improper way. Handle with care. Once disused, please make sure this product is disposed in an environment-friendly way.

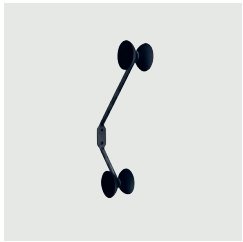


COAT STAND



Frame / grey anthracite 5142
Hooks in rubber / black 1770 C

WALL COAT HANGER



Frame / grey anthracite 5142
Hooks in rubber / black 1770 C

Materials /

Rubber /



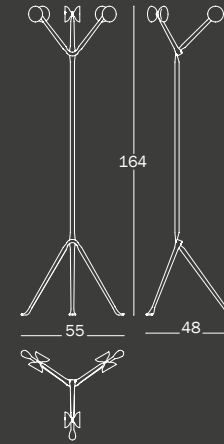
Black
1770 C

Frame in wrought iron /

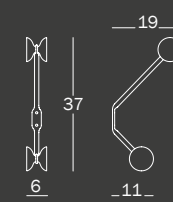


Grey anthracite 5142

Coat stand



Wall coat hanger



PRODUCT CARE

We recommend using a soft rag, either dry or wet. When needed, use ph-balanced soap diluted in water. Do not use abrasive sponges as they may leave scratches. Avoid using acidic products, solvents and products containing ammonia. Periodic maintenance and cleaning allow the product to keep its original look and lengthen the duration of its performance.

WARNING

Do not use different cleaning products from the ones mentioned above. Do not use the product in an improper way. Once disused, please make sure that this product is disposed in an environment-friendly way.



FLOOR CANDLE
HOLDER 1 ARM



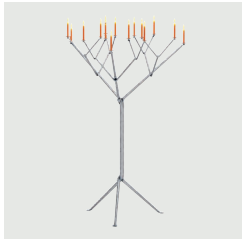
Frame / grey anthracite 5142

FLOOR CANDLE
HOLDER 3 ARMS



Frame / grey anthracite 5142

FLOOR CANDLE
HOLDER / TREE 15 ARMS



Frame / galvanized 5250



Frame / grey anthracite 5142

Frame in wrought iron /

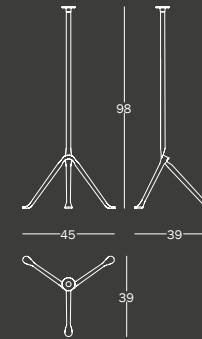


Galvanized 5250

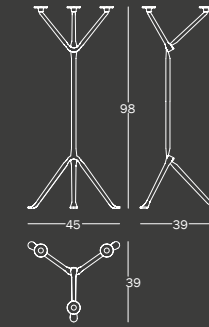


Grey anthracite 5142

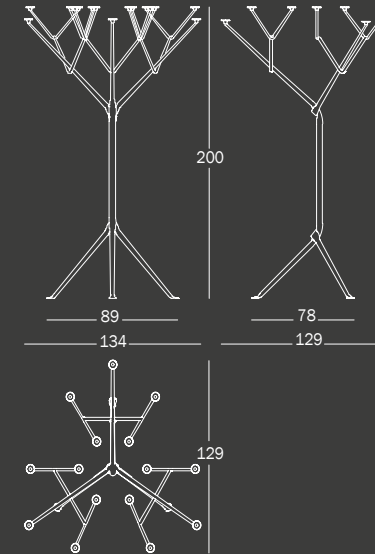
Floor candle holder
1 arm



Floor candle holder
3 arms



Floor candle holder / tree
15 arms



PRODUCT CARE

We recommend using a soft dry rag. Do not use abrasive sponges as they may leave scratches. Avoid using acidic products, solvents and products containing ammonia. Periodic maintenance and cleaning allows the products to keep their original look and lengthens the duration of their performance.

WARNING

Never leave a candle burn down in this candle holder; the candle holder can get very hot and damage delicate surfaces. Always burn candle holders on a fireproof base and a safe distance away from combustible materials. Never leave a lit candle unattended. Keep candle holders away from children and pets. Extinguish by snuffing out the flame. Trim the wick to 8 mm each time before burning. Long or crooked wicks can cause uneven burning, dripping, pool fire or flaring. Keep candle holders away from children and pets. Do not use different cleaning products from the ones mentioned above. Once disused, please make sure this product is disposed in an environment-friendly way.



