

Plato

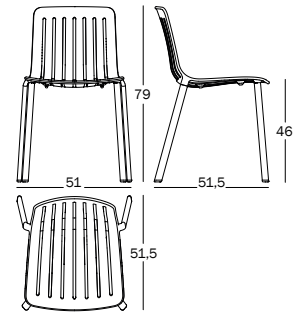
Design Jasper Morrison, 2019

Stacking chair, suitable for outdoor use.

Legs in aluminium painted in polyester powder. Seat in die-cast aluminium painted in polyester powder.

Seat cushion available (p.40).

Trolley Magis available (p.303).



9401.79.00 | 0,380 m³ | 14,50 kg

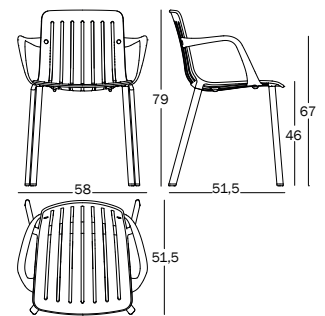
Art. nr.	Chair in aluminium
SD1230	colours

Stacking chair with arms, suitable for outdoor use.

Legs in aluminium painted in polyester powder. Seat in die-cast aluminium painted in polyester powder.

Seat cushion available (p.40).







Trolley Magis available (p.303).



9401.79.00 | 0,446 m³ | 16,90 kg

Art. nr.	Chair with arms in aluminium
SD1234	colours

Aluminium

-  light blue 5276
-  white 5110
-  grey metallised 5275
-  black 5130
-  red 5273
-  green 5274

Test

Leg sideways static load test EN 1728:2012 L2
Seat and back static load test EN 1728:2012 L2
Vertical load on backrest EN 1728:2012 L2
Information for use EN 16139:2013
Arm fatigue test EN 1728 :2012 L2
Stability EN 1022:2005
Seat impact test EN 1728:2012 L2
Leg forward static load test EN 1728:2012 L2

Arm sideways static load test EN 1728:2012 L2
Arm downwards static load test EN 1728:2012 L2
Seat front edge durability test EN 1728:2012 L2
Safety requirements EN 16139:2013
Seat and back fatigue test EN 1728:2012 L2
Arm rest impact test EN 1728:2012 L2
Back impact test EN 1728:2012 L2

Compasso d'Oro 2022

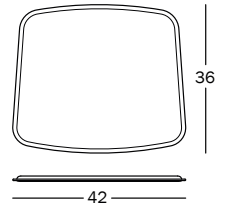


Plato Cushion

Design Jasper Morrison, 2019

Seat cushion.

In expanded polyurethane (class 11M), covered in fabric.



9404.90.90

0,015 m³



1,72 kg

Art. nr.	Cushion cover
----------	---------------

SD1270	fabric
--------	--------

Fabric

Kvadrat Divina MD 193 / black

Kvadrat Divina MD 713 / grey

Kvadrat Divina MD 613 / pink

Kvadrat Divina MD 783 / dark blue

Kvadrat Divina 3 106 / white

Kvadrat Divina 3 552 / orange

Kvadrat Divina 3 984 / green

Kvadrat Divina 3 393 / dark brown

Kvadrat Divina 3 191 / black