

Steelwood Chair

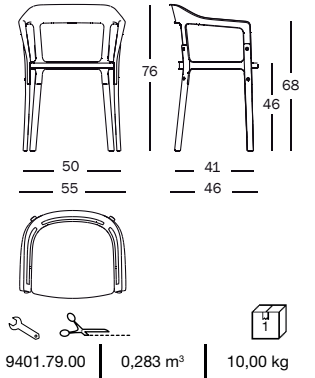
Design Ronan & Erwan Bouroullec, 2008

Chair with arms and seat upholstered.

Legs in solid beech, painted. Frame in steel plate painted in polyester powder.

Seat in plywood padded in expanded polyurethane foam, fireproof (class 11M) covered in fabric (Kvadrat, "Divina 3 and Divina MD").

Complete with felt pads.



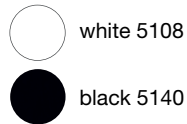
9401.79.00 | 0,283 m³ | 10,00 kg

Art. nr.	Legs and seat in solid beech	Frame in steel plate	Seat upholstery
SD745	painted white	white	fabric
SD745	painted black	black	fabric

Beech painted



Frame in steel plate painted



Fabric

Kvadrat Divina 3 106 / white
 Kvadrat Divina 3 552 / orange
 Kvadrat Divina 3 984 / green
 Kvadrat Divina 3 393 / dark brown
 Kvadrat Divina 3 191 / black
 Kvadrat Divina MD 193 / dark grey
 Kvadrat Divina MD 713 / grey
 Kvadrat Divina MD 613 / pink
 Kvadrat Divina MD 783 / dark blue

