

## Officina

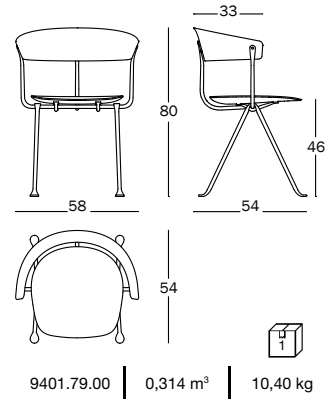
Design Ronan & Erwan Bouroullec, 2016

**Chair with seat and back in polypropylene, or in polypropylene covered in fabric or in premium-grade leather.**

Frame in wrought iron, galvanized or cataphoretically-treated and painted in polyester powder.

Complete with felt pads.

Seat cushion available (p.32).



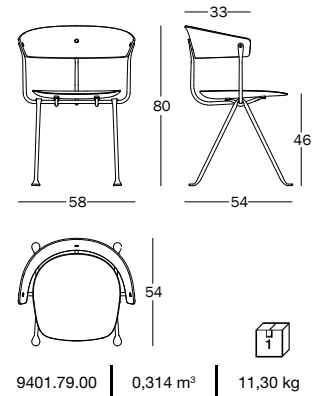
Art. nr.	Frame in wrought iron	Seat and back
SD2050	galvanized 5250	polypropylene
SD2051	grey anthracite 5142	polypropylene
SD2052	galvanized 5250	leather
SD2053	grey anthracite 5142	leather
SD2054	galvanized 5250	fabric
SD2055	grey anthracite 5142	fabric

## Chair with seat and back in beech plywood.











Frame in wrought iron, galvanized or cataphoretically-treated and painted in polyester powder.

Complete with felt pads.

Seat cushion available (p.32).



Art. nr.	Frame in wrought iron	Seat and back
SD2056	galvanized 5250	beech plywood
SD2057	grey anthracite 5142	beech plywood

Frame in wrought iron	Polypropylene	Beech plywood	Fabric	Leather
 galvanized 5250	 grey metallised 1761 C	 natural 7011	Kvadrat Divina Melange 120 / light grey	natural L-0090
 grey anthracite 5142	 black 1763 C	 black 7140	Kvadrat Divina MD 193 / dark grey	black L-0059
 painted brown 5146	 dark green 1555 C			
	 brown 1805 C			
	 white 1735C			

**Test**  
ANSI/BIFMA X5.1-2011  
Leg sideways static load test EN 1728:2012, L2  
Seat and back static load test EN 1728:2012, L2  
Seat impact test EN 1728:2012, L2  
Leg forward static load test EN 1728:2012, L2  
Seat and back fatigue test EN 1728:2012, L2  
Seat front edge durability test EN 1728:2012, L2  
Stability EN 1022:2005, L2

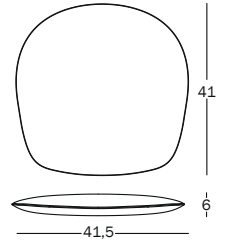


## Officina Cushion

Design Ronan & Erwan Bouroullec, 2021

### Seat cushion.

In expanded polyurethane (class 11M),  
covered in fabric.



9404.90.90 | 0,015 m<sup>3</sup> | 1,72 kg

Art. nr.	Cushion cover
SD2180	fabric

### Fabric

Kvadrat Divina Melange 120 / light grey

Kvadrat Divina MD 193 / dark grey