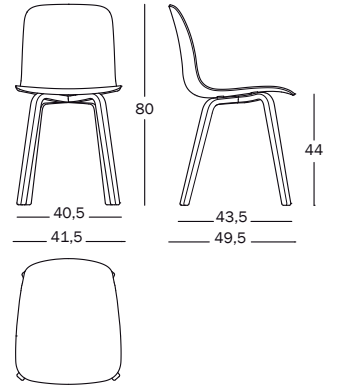


Substance

Design Naoto Fukasawa, 2016

Chair with frame in ash plywood, natural or painted.

Seat in polypropylene.
Complete with felt pads.




9401.69.00 | 0,269 m³ | 13,20 kg




Art. nr.	Frame in ash plywood	Seat in polypropylene
SD5000	colours	colours


Ash plywood

 natural 7018

 black 7065

Polypropylene

 white 1735 C

 grey beige 1452 C

 black 1768 C

Test
ANSI/BIFMA X5.1-2011
Information for use EN 16139:2013
Leg sideways static load test EN 1728:2012
Seat and back fatigue test EN 1728:2012
Seat front edge durability test EN 1728:2012
Stability EN 1022:2005
Back impact test EN 1728:2012
Leg forward static load test EN 1728:2012
Safety requirements EN 16139:2013
Seat and back static load test EN 1728:2012
Seat impact test EN 1728:2012
Vertical load on back rest EN 1728:2012

