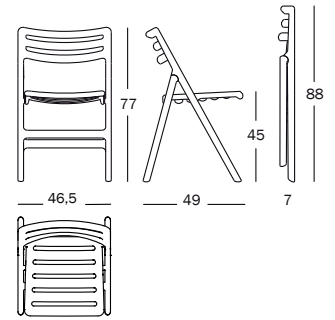


Folding Air-Chair

Design Jasper Morrison, 2003

Folding chair, suitable for outdoor use.

In polypropylene with glass fibre added.
Wall hook in chromed steel for wall fixing
available.



9401.80.00

0,085 m³



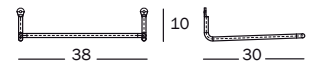
10,40 kg

Art. nr. Chair in polypropylene

SD75 white 1730 C

Wall hook.

In chromed steel rod to hang 4 Folding Air-Chair.



9403.90.10

0,01 m³



1,50 kg

Art. nr. Chair with arms in polypropylene

SD62 white 1730 C

Wall hook.

In chromed steel rod to hang 2 Folding Air-Chair.



9403.99.10

0,015 m³



0,10 kg

Art. nr. Wall hook in steel rod

SD63 chromed

Chair

white 1730 C

Wall hook

chromed

Test
ANSI/BIFMA X5.1
Leg forward static load test UNI 10977/2002, L5
Seat and back fatigue test UNI 10977/2002, L5
Seat front edge fatigue test UNI 10977/2002, L5
Back impact test UNI 10977/2002, L5
Leg sideways static load test UNI 10977/2002, L5
Seat and back static load test UNI 10977/2002, L5
Seat impact test UNI 10977/2002, L5

