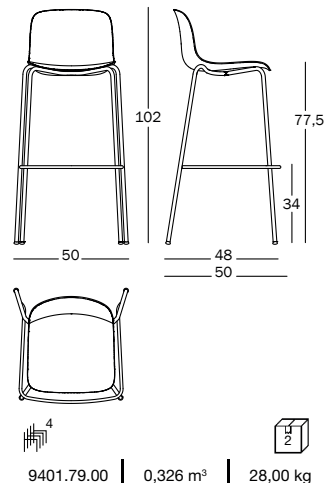


Troy, 4 legs

Design Marcel Wanders, 2014

Stacking high bar stool with seat in polypropylene.

Frame in steel tube chromed or cataphoretically treated and painted in polyester powder. Complete with felt pads.

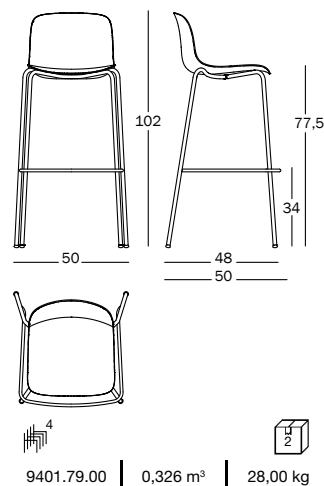


Art. nr.	Frame in steel tube	Seat in polypropylene
SD3510	chromed	colours
SD3512	painted white or black	colours






Stacking high bar stool with seat in beech plywood.

Frame in chromed steel tube chromed or painted in polyester powder. Complete with felt pads.




Art. nr.	Frame in steel tube	Seat in beech
SD3520	chromed	natural or black
SD3522	painted white	natural
SD3522	painted black	black



Frame in steel tube

-  chromed
-  white 5110
-  black 5140

Seat in polypropylene

-  white 1735 C
-  black 1763 C
-  coral red 1490 C

Seat in beech

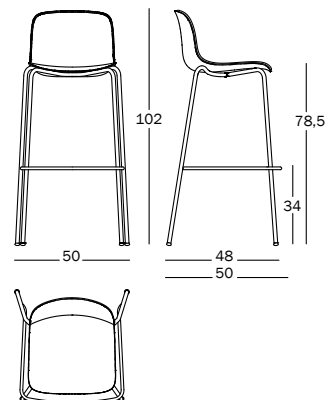
-  natural 7010
-  black 7065

Troy, 4 legs

Design Marcel Wanders, 2017

High bar stool with front seat covered.

Frame in steel tube chromed or painted in polyester powder. Seat in polypropylene or in beech plywood. Front seat upholstered in expanded polyurethane, fireproof (Crib5) and covered in fabric (Kvadrat) or in leather. Complete with felt pads.



9401.79.00

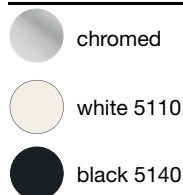
0,326 m³

29,00 kg

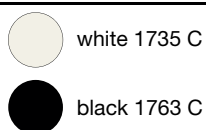


Art. nr.	Frame in steel tube	Seat	Front seat covered
SD4355	chromed	polypropylene	fabric
SD4357	chromed	polypropylene	leather
SD4356	painted white or black	polypropylene	fabric
SD4358	painted white or black	polypropylene	leather
SD4360	chromed	beech natural or black	fabric
SD4363	chromed	beech natural or black	leather
SD4362	painted white or black	beech natural or black	fabric
SD4364	painted white or black	beech natural or black	leather

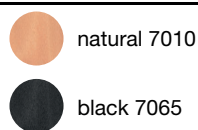
Frame in steel tube



Seat in polypropylene



Seat in beech



Fabric

Kvadrat Divina 3
Kvadrat Divina MD
Kvadrat Divina Melange
Kvadrat Steelcut
Kvadrat Steelcut Trio
Kvadrat Hero
Kvadrat Vidar

Leather

Boxland 7150/
black

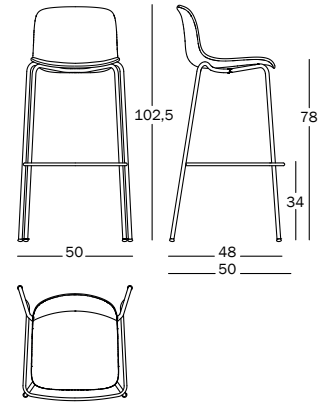
Troy, 4 legs

Design Marcel Wanders, 2016

High bar stool with seat fully covered.

Frame in steel tube chromed or painted in polyester powder. Seat in polypropylene upholstered in expanded polyurethane, fireproof (Crib5) and covered in fabric (Kvadrat "Divina MD" and "Divina Mélange").

Complete with felt pads.



9401.79.00




0,326 m³



29,00 kg

Art. nr.	Frame in steel tube	Seat covered
SD3515	chromed	fabric
SD3516	painted white or black	fabric

Frame in steel tube

-  chromed
-  white 5110
-  black 5140

Fabric

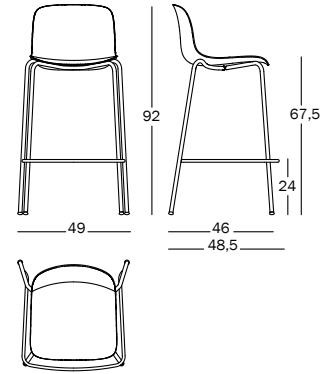
- Kvadrat Divina 3
- Kvadrat Divina MD
- Kvadrat Divina Melange
- Kvadrat Steelcut
- Kvadrat Steelcut Trio
- Kvadrat Hero
- Kvadrat Vidar

Troy, 4 legs

Design Marcel Wanders, 2014

Stacking medium bar stool with seat in polypropylene.

Frame in steel tube chromed or cataphoretically treated and painted in polyester powder. Complete with felt pads.

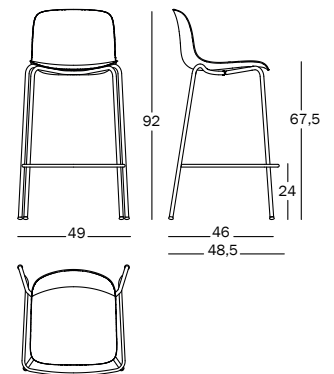


4 9401.79.00 | 0,297 m³ | 26,00 kg

Art. nr.	Frame in steel tube	Seat in polypropylene
SD3550	chromed	colours
SD3552	painted white or black	colours

Stacking medium bar stool with seat in beech plywood.




Frame in chromed steel tube chromed or painted in polyester powder. Complete with felt pads.



4 9401.79.00 | 0,297 m³ | 26,00 kg

Art. nr.	Frame in steel tube	Seat in beech
SD3560	chromed	natural or black
SD3562	painted white or black	natural or black



Frame in steel tube

-  chromed
-  white 5110
-  black 5140

Seat in polypropylene

-  white 1735 C
-  black 1763 C
-  coral red 1490 C

Seat in beech

-  natural 7010
-  black 7065

Test Troy polypropylene

ANSI-BIFMA X5.1-2011
 Foot rest fatigue test EN 16139:2013, L2
 Leg forward static load test EN 16139:2013, L2
 Safety requirements EN 16139:2013, L2
 Seat and back static load test EN 16139:2013, L2
 Seat impact test EN 16139:2013, L2
 Back impact test EN 16139:2013, L2
 Foot rest static load test EN 16139:2013, L2
 Leg sideways static load test EN 16139:2013, L2
 Seat and back fatigue test EN 16139:2013, L2
 Seat front edge durability test EN 16139:2013, L2
 Stability EN 1022:2005

Test Troy beech plywood

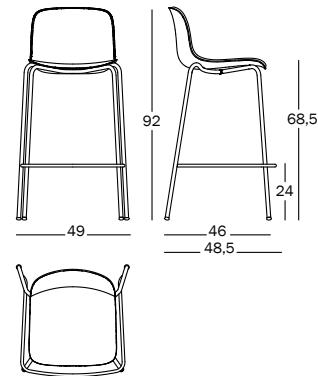
ANSI-BIFMA X5.1-2011
 Foot rest fatigue test EN 16139:2013, L2
 Leg forward static load test EN 16139:2013, L2
 Safety requirements EN 16139:2013, L2
 Seat and back static load test EN 16139:2013, L2
 Seat impact test EN 16139:2013, L2
 Back impact test EN 16139:2013, L2
 Foot rest static load test EN 16139:2013, L2
 Leg sideways static load test EN 16139:2013, L2
 Seat and back fatigue test EN 16139:2013, L2
 Seat front edge durability test EN 16139:2013, L2
 Stability EN 1022:2005

Troy, 4 legs

Design Marcel Wanders, 2017

Medium bar stool with front seat covered.

Frame in steel tube chromed or painted in polyester powder. Seat in polypropylene or in beech plywood. Front seat upholstered in expanded polyurethane, fireproof (Crib5) and covered in fabric (Kvadrat) or in leather. Complete with felt pads.



9401.79.00

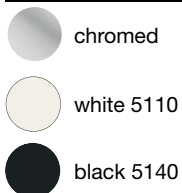
0,297 m³

25,00 kg

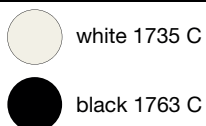


Art. nr.	Frame in steel tube	Seat	Front seat covered
SD4375	chromed	polypropylene	fabric
SD4377	chromed	polypropylene	leather
SD4376	painted white or black	polypropylene	fabric
SD4378	painted white or black	polypropylene	leather
SD4380	chromed	beech natural or black	fabric
SD4383	chromed	beech natural or black	leather
SD4382	painted white or black	beech natural or black	fabric
SD4384	painted white or black	beech natural or black	leather

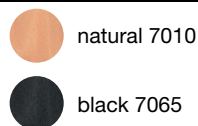
Frame in steel tube



Seat in polypropylene



Seat in beech



Fabric

Kvadrat Divina 3
Kvadrat Divina MD
Kvadrat Divina Melange
Kvadrat Steelcut
Kvadrat Steelcut Trio
Kvadrat Hero
Kvadrat Vidar

Leather

Boxland 7150/
black

 Information on customer's own material from p.397



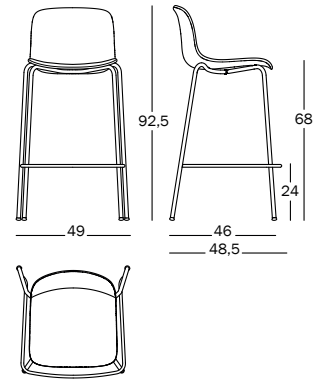
Troy, 4 legs

Design Marcel Wanders, 2016

Medium bar stool with seat fully covered.

Frame in steel tube chromed or painted in polyester powder. Seat in polypropylene upholstered in expanded polyurethane, fireproof (Crib5) and covered in fabric (Kvadrat "Divina MD" and "Divina Mélange").

Complete with felt pads.



9401.79.00




0,297 m³



25,00 kg

Art. nr.	Frame in steel tube	Seat covered
SD3555	chromed	fabric
SD3556	painted white or black	fabric

Frame in steel tube

-  chromed
-  white 5110
-  black 5140

Fabric

- Kvadrat Divina 3
- Kvadrat Divina MD
- Kvadrat Divina Melange
- Kvadrat Steelcut
- Kvadrat Steelcut Trio
- Kvadrat Hero
- Kvadrat Vidar

Test Troy with seat upholstered

ANSI-BIFMA X5.1-2011
Foot rest fatigue test EN 16139:2013, L2
Leg forward static load test EN 16139:2013, L2
Safety requirements EN 16139:2013, L2
Seat and back static load test EN 16139:2013, L2
Seat impact test EN 16139:2013, L2
Back impact test EN 16139:2013, L2
Foot rest static load test EN 16139:2013, L2
Leg sideways static load test EN 16139:2013, L2
Seat and back fatigue test EN 16139:2013, L2
Seat front edge durability test EN 16139:2013, L2
Stability EN 1022:2005



Information on customer's own material from

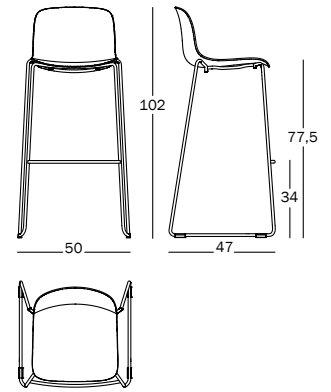


Troy, sledge

Design Marcel Wanders, 2014

Stacking high bar stool with seat in polypropylene.

Frame in steel rod chromed or cataphoretically treated and painted in polyester powder. Complete with felt pads.

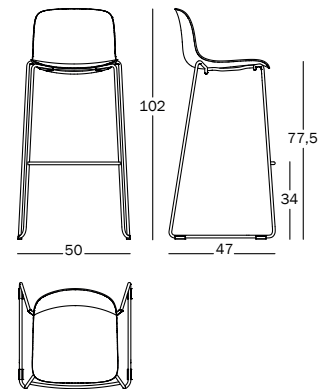


9401.79.00 | 0,326 m³ | 28,00 kg

Art. nr.	Frame in steel rod	Seat in polypropylene
SD3610	chromed	colours
SD3612	painted white or black	colours

Stacking high bar stool with seat in beech plywood.

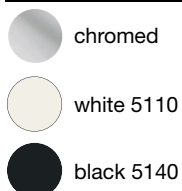
Frame in chromed steel rod chromed or painted in polyester powder. Complete with felt pads.



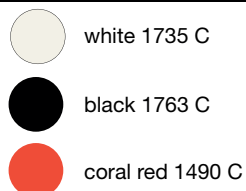
9401.79.00 | 0,326 m³ | 28,00 kg

Art. nr.	Frame in steel rod	Seat in beech
SD3620	chromed	natural or black
SD3622	painted white	natural
SD3622	painted black	black

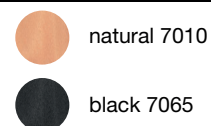
Frame in steel rod



Seat in polypropylene



Seat in beech

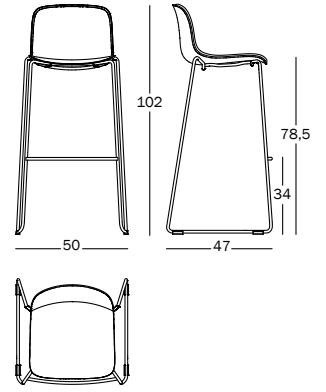


Troy, sledge

Design Marcel Wanders, 2017

High bar stool with front seat covered.

Frame in chromed steel rod or painted in polyester powder. Seat in polypropylene or in beech plywood. Front seat upholstered in expanded polyurethane, fireproof (Crib5) and covered in fabric (Kvadrat) or in leather. Complete with felt pads.



9401.79.00

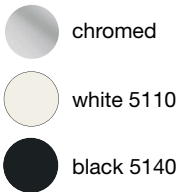
0,326 m³

33,00 kg

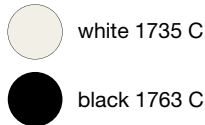


Art. nr.	Frame in steel rod	Seat	Front seat covered
SD4395	chromed	polypropylene	fabric
SD4397	chromed	polypropylene	leather
SD4396	painted white or black	polypropylene	fabric
SD4398	painted white or black	polypropylene	leather
SD4400	chromed	beech natural or black	fabric
SD4403	chromed	beech natural or black	leather
SD4402	painted white or black	beech natural or black	fabric
SD4404	painted white or black	beech natural or black	leather

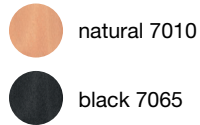
Frame in steel rod



Seat in polypropylene



Seat in beech



Fabric

Kvadrat Divina 3
Kvadrat Divina MD
Kvadrat Divina Melange
Kvadrat Steelcut
Kvadrat Steelcut Trio
Kvadrat Hero
Kvadrat Vidar

Leather

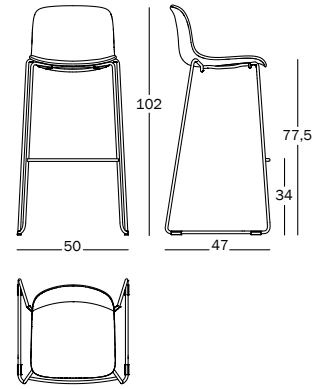
Boxland
7150/ black

Troy, sledge

Design Marcel Wanders, 2016

High bar stool with seat fully covered..

Frame in chromed steel rod or painted in polyester powder. Seat in polypropylene upholstered in expanded polyurethane, fireproof (Crib5) and covered in fabric (Kvadrat "Divina MD" and "Divina Mélange"). Complete with felt pads.



9401.79.00




0,326 m³



29,00 kg

Art. nr.	Frame in steel rod	Seat covered
SD3615	chromed	fabric
SD3616	painted white or black	fabric

Frame in steel rod

-  chromed
-  white 5110
-  black 5140

Fabric

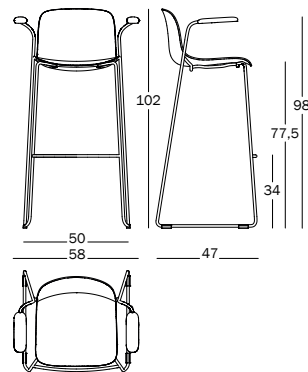
- Kvadrat Divina 3
- Kvadrat Divina MD
- Kvadrat Divina Melange
- Kvadrat Steelcut
- Kvadrat Steelcut Trio
- Kvadrat Hero
- Kvadrat Vidar



Troy, sledge

Design Marcel Wanders, 2014

Stacking high bar stool with arms and seat in polypropylene.

Frame in steel rod chromed or cataphoretically treated and painted in polyester powder. Complete with felt pads.



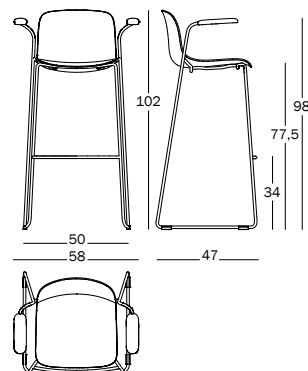

 9401.79.00 |
 
 0,326 m³ | 32,00 kg



Art. nr.	Frame in steel rod	Seat in polypropylene
SD3630	chromed	colours
SD3632	painted white or black	colours



Stacking high bar stool with arms and seat in beech plywood.

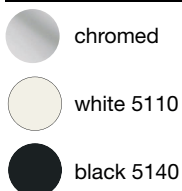
Frame in chromed steel rod chromed or painted in polyester powder. Complete with felt pads.



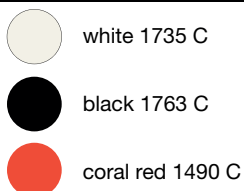

 9401.79.00 |
 
 0,326 m³ | 32,00 kg

Art. nr.	Frame in steel rod	Seat in beech
SD3640	chromed	natural or black
SD3642	painted white	natural
SD3642	painted black	black

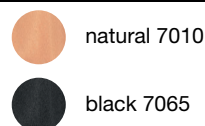
Frame in steel rod



Seat in polypropylene



Seat in beech



Test Troy with seat in polypropylene

Safety requirements EN 16139:2013
 Information for use EN 16139:2013
 Seat and back static load test EN 1728:2012 L2
 Footrest static load test EN 1728:2012 L2
 Seat and back fatigue test EN 1728:2012 L2
 Seat front edge durability test EN 1728:2012 L2
 Footrest durability test EN 1728:2012 L2
 Leg forward static load test EN 1728:2012 L2
 Leg sideways static load test EN 1728:2012 L2
 Seat impact test EN 1728:2012 L2
 Back impact test EN 1728:2012 L2
 Stability EN 1022:2005
 Product tested and classified by MPA Stuttgart

Test Troy with seat in beech

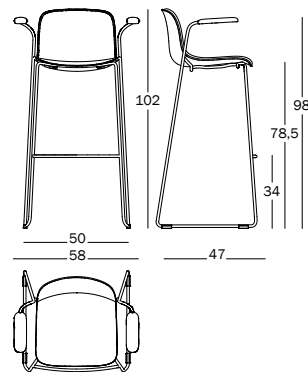
Safety requirements EN 16139:2013
 Information for use EN 16139:2013
 Seat and back static load test EN 1728:2012 L2
 Footrest static load test EN 1728:2012 L2
 Seat and back fatigue test EN 1728:2012 L2
 Seat front edge durability test EN 1728:2012 L2
 Footrest durability test EN 1728:2012 L2
 Leg forward static load test EN 1728:2012 L2
 Leg sideways static load test EN 1728:2012 L2
 Seat impact test EN 1728:2012 L2
 Back impact test EN 1728:2012 L2
 Stability EN 1022:2005
 Product tested and classified by MPA Stuttgart

Troy, sledge

Design Marcel Wanders, 2017

High bar stool with arms and front seat covered.

Frame in chromed steel rod or painted in polyester powder. Seat and arms in polypropylene or in beech plywood. Front seat upholstered in expanded polyurethane, fireproof (Crib5) and covered in fabric (Kvadrat) or in leather. Complete with felt pads.



9401.79.00

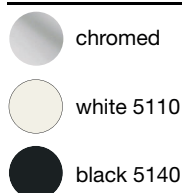
0,326 m³

33,00 kg

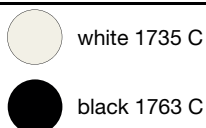


Art. nr.	Frame in steel rod	Seat	Front seat covered
SD4415	chromed	polypropylene	fabric
SD4417	chromed	polypropylene	leather
SD4416	painted white or black	polypropylene	fabric
SD4418	painted white or black	polypropylene	leather
SD4420	chromed	beech natural or black	fabric
SD4423	chromed	beech natural or black	leather
SD4422	painted white or black	beech natural or black	fabric
SD4424	painted white or black	beech natural or black	leather

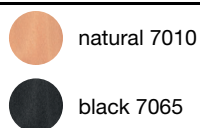
Frame in steel rod



Seat in polypropylene



Seat in beech



Fabric

Kvadrat Divina 3
Kvadrat Divina MD
Kvadrat Divina Melange
Kvadrat Steelcut
Kvadrat Steelcut Trio
Kvadrat Hero
Kvadrat Vidar

Leather

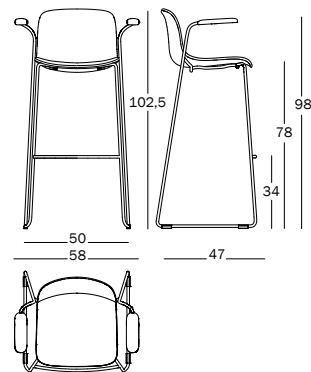
Boxland
7150/ black

Troy, sledge

Design Marcel Wanders, 2016

High bar stool with arms and seat fully covered.

Frame in chromed steel rod or painted in polyester powder. Seat and arms in polypropylene upholstered in expanded polyurethane, fireproof (Crib5) and covered in fabric (Kvadrat "Divina MD" and "Divina Mélange"). Complete with felt pads.



9401.79.00






0,326 m³

33,00 kg

Art. nr.	Frame in steel rod	Seat covered
SD3635	chromed	fabric
SD3636	painted white or black	fabric

Frame in steel rod

-  chromed
-  white 5110
-  black 5140

Fabric

- Kvadrat Divina 3
- Kvadrat Divina MD
- Kvadrat Divina Melange
- Kvadrat Steelcut
- Kvadrat Steelcut Trio
- Kvadrat Hero
- Kvadrat Vidar

Test Troy with seat upholstered

Safety requirements EN 16139:2013
Information for use EN 16139:2013
Seat and back static load test EN 1728:2012 L2
Footrest static load test EN 1728:2012 L2
Seat and back fatigue test EN 1728:2012 L2
Seat front edge durability test EN 1728:2012 L2
Footrest durability test EN 1728:2012 L2
Leg forward static load test EN 1728:2012 L2
Leg sideways static load test EN 1728:2012 L2
Seat impact test EN 1728:2012 L2
Back impact test EN 1728:2012 L2
Stability EN 1022:2005



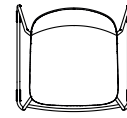
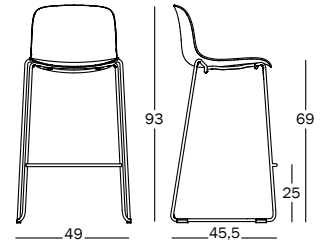
Information on customer's own material from p.397




Troy, sledge
Design Marcel Wanders, 2014

Stacking medium bar stool with seat in polypropylene.

Frame in steel rod chromed or cataphoretically treated and painted in polyester powder. Complete with felt pads.

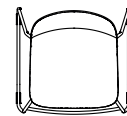
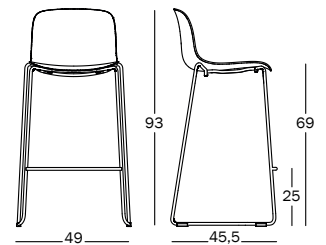


9401.79.00 | 0,297 m³ | 26,00 kg

Art. nr.	Frame in steel rod	Seat in polypropylene
SD3650	chromed	colours
SD3652	painted white or black	colours 

Stacking medium bar stool with seat in beech plywood.




Frame in chromed steel rod chromed or painted in polyester powder. Complete with felt pads.






9401.79.00 | 0,297 m³ | 6,00 kg

Art. nr.	Frame in steel rod	Seat in beech
SD3660	chromed	natural or black
SD3662	painted white	natural
SD3662	painted black	black



Frame in steel rod

-  chromed
-  white 5110
-  black 5140

Seat in polypropylene

-  white 1735 C
-  black 1763 C
-  coral red 1490 C

Seat in beech

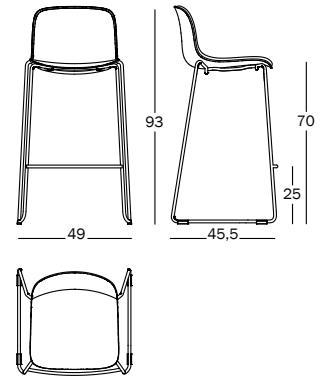
-  natural 7010
-  black 7065

Troy, sledge

Design Marcel Wanders, 2017

Medium bar stool with front seat covered.

Frame in chromed steel rod or painted in polyester powder. Seat in polypropylene or in beech plywood. Front seat upholstered in expanded polyurethane, fireproof (Crib5) and covered in fabric (Kvadrat) or in leather. Complete with felt pads.



9401.79.00

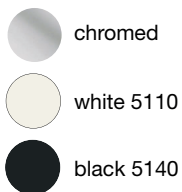
0,297 m³



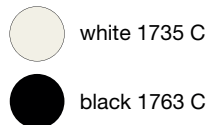
27,00 kg

Art. nr.	Frame in steel rod	Seat	Front seat covered
SD4435	chromed	polypropylene	fabric
SD4437	chromed	polypropylene	leather
SD4436	painted white or black	polypropylene	fabric
SD4438	painted white or black	polypropylene	leather
SD4440	chromed	beech natural or black	fabric
SD4443	chromed	beech natural or black	leather
SD4442	painted white or black	beech natural or black	fabric
SD4444	painted white or black	beech natural or black	leather

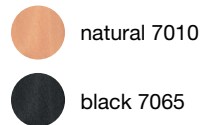
Frame in steel rod



Seat in polypropylene



Seat in beech



Fabric

Kvadrat Divina 3
Kvadrat Divina MD
Kvadrat Divina Melange
Kvadrat Steelcut
Kvadrat Steelcut Trio
Kvadrat Hero
Kvadrat Vidar

Leather

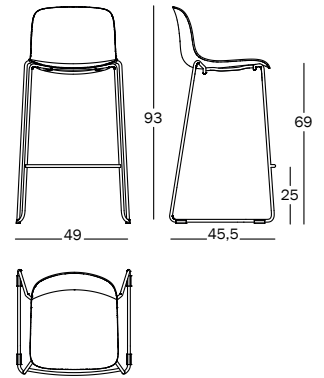
Boxland
7150/ black

Troy, sledge

Design Marcel Wanders, 2016

Medium bar stool with seat fully covered.

Frame in chromed steel rod or painted in polyester powder. Seat in polypropylene upholstered in expanded polyurethane, fireproof (Crib5) and covered in fabric (Kvadrat "Divina MD" and "Divina Mélange"). Complete with felt pads.



9401.79.00




0,297 m³



27,00 kg

Art. nr.	Frame in steel rod	Seat upholstered
SD3655	chromed	fabric
SD3656	painted white or black	fabric

Frame in steel rod

-  chromed
-  white 5110
-  black 5140

Fabric

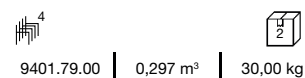
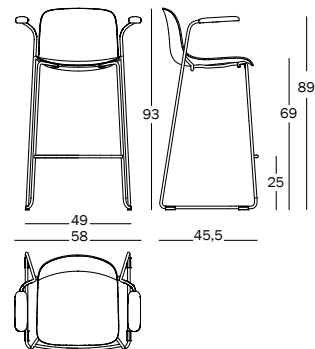
- Kvadrat Divina 3
- Kvadrat Divina MD
- Kvadrat Divina Melange
- Kvadrat Steelcut
- Kvadrat Steelcut Trio
- Kvadrat Hero
- Kvadrat Vidar


Troy, sledge

Design Marcel Wanders, 2014

Stacking medium bar stool with arms and seat in polypropylene.

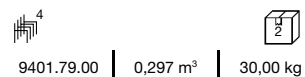
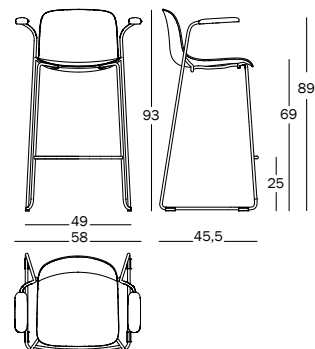
Frame in steel rod chromed or cataphoretically treated and painted in polyester powder.
Complete with felt pads.



Art. nr.	Frame in steel rod	Seat in polypropylene
SD3670	chromed	colours
SD3672	painted white or black	colours 

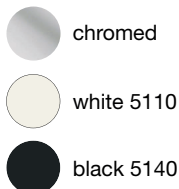
Stacking medium bar stool with arms and seat in beech plywood.

Frame in chromed steel rod chromed or painted in polyester powder. Complete with felt pads.

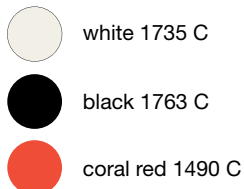


Art. nr.	Frame in steel rod	Seat in beech
SD3680	chromed	natural or black
SD3682	painted white	natural
SD3682	painted black	black

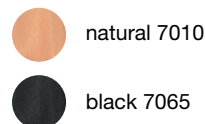
Frame in steel rod



Seat in polypropylene



Seat in beech



Test Troy with seat in polypropylene
Seat and back fatigue test EN 16139:2013, L2
Seat and back static load test EN 16139:2013, L2

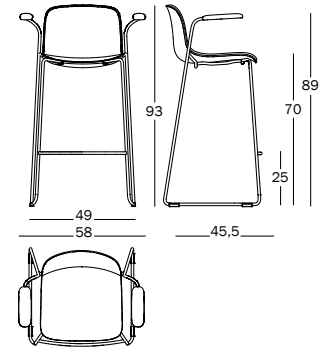
Test Troy with seat in beech plywood
Seat and back fatigue test EN 16139:2013, L2
Seat and back static load test EN 16139:2013, L2

Troy, sledge

Design Marcel Wanders, 2017

Medium bar stool with arms and front seat covered.

Frame in chromed steel rod or painted in polyester powder. Seat and arms in polypropylene or in beech plywood. Front seat upholstered in expanded polyurethane, fireproof (Crib5) and covered in fabric (Kvadrat) or in leather. Complete with felt pads.



9401.79.00

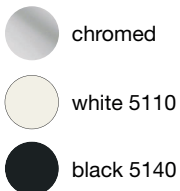
0,297 m³



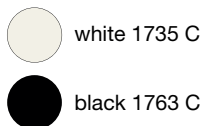
31,00 kg

Art. nr.	Frame in steel rod	Seat	Front seat upholstered
SD4455	chromed	polypropylene	fabric
SD4457	chromed	polypropylene	leather
SD4456	painted white or black	polypropylene	fabric
SD4458	painted white or black	polypropylene	leather
SD4460	chromed	beech natural or black	fabric
SD4463	chromed	beech natural or black	leather
SD4462	painted white or black	beech natural or black	fabric
SD4464	painted white or black	beech natural or black	leather

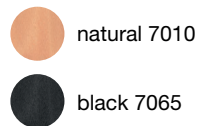
Frame in steel rod



Seat in polypropylene



Seat in beech



Fabric

Kvadrat Divina 3
Kvadrat Divina MD
Kvadrat Divina Melange
Kvadrat Steelcut
Kvadrat Steelcut Trio
Kvadrat Hero
Kvadrat Vidar

Leather

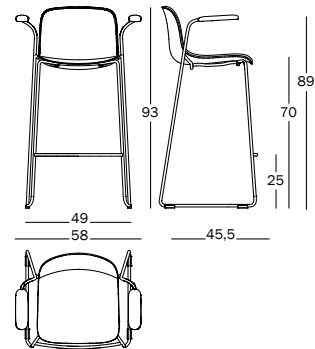
Boxland
7150/ black

Troy, sledge

Design Marcel Wanders, 2016

Medium bar stool with arms and seat fully covered.

Frame in chromed steel rod or painted in polyester powder. Seat and arms in polypropylene upholstered in expanded polyurethane, fireproof (Crib5) and covered in fabric (Kvadrat "Divina MD" and "Divina Mélange"). Complete with felt pads.



9401.79.00






0,297 m³

31,00 kg

Art. nr.	Frame in steel rod	Seat covered
SD3675	chromed	fabric
SD3676	painted white or black	fabric

Frame in steel rod

-  chromed
-  white 5110
-  black 5140

Fabric

- Kvadrat Divina 3
- Kvadrat Divina MD
- Kvadrat Divina Melange
- Kvadrat Steelcut
- Kvadrat Steelcut Trio
- Kvadrat Hero
- Kvadrat Vidar

Test
Seat and back fatigue test EN 16139:2013, L2
Seat and back static load test EN 16139:2013, L2



Information on customer's own material from p.397

