

My Storage

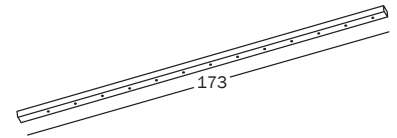
Design Ineke Hans, 2009

Shelving and drawer units system.



High uprights (max. 13 shelves).

In natural solid beech, shelves and drawers in ABS, overinjected screws in ABS.

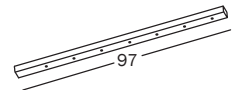


 1 PACKAGE

Art. nr.	Uprights in solid beech
MT700	natural 7011

Low uprights (max. 7 shelves).

In natural solid beech, shelves and drawers in ABS, overinjected screws in ABS.

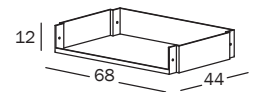


 1 PACKAGE

Art. nr.	Uprights in solid beech
MT710	natural 7011

Shelves.

In ABS, complete with screws and guides.

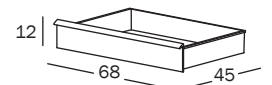
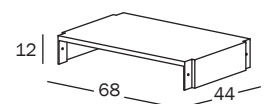


 1 PACKAGE

Art. nr.	Shelves in ABS	Screws in ABS
MT720	white 1673 C	colours

Drawer units and shelves.


In ABS, complete with screws and guides.




 1 PACKAGE

Art. nr.	Drawer units and shelves in ABS	Screws in ABS
MT730	colours	colours

Uprights in solid beech

 natural 7011

Shelves in ABS

 white 1673 C

Drawer units / Screws in ABS

 red 1138 C

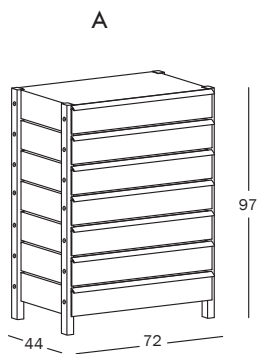
 white 1673 C

Test
 Deflection of shelves ISO 7170:2005
 Drop test ISO 7170:2005
 Shelf retention ISO 7170:2005
 Strength of drawer runners ISO 7170:2005
 Strength of the structure ISO 7170:2005

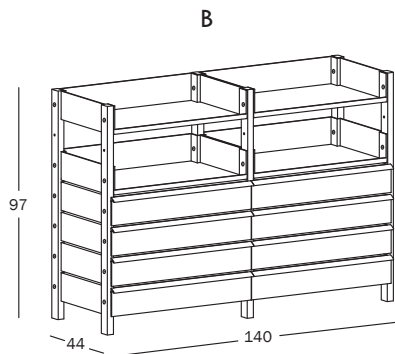
Displacement of extension element bottoms ISO 7170:2005
 Durability of extension elements ISO 7170:2005
 Slam shut/open test of extension elements ISO 7170:2005
 Strength of shelf supports ISO 7170:2005



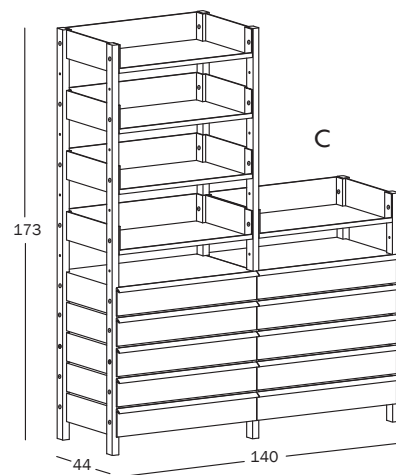
Examples of composition



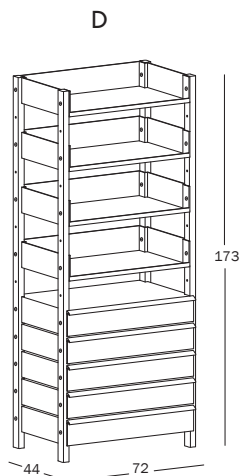
Composition A
n° 4 MT710
n° 7 MT730



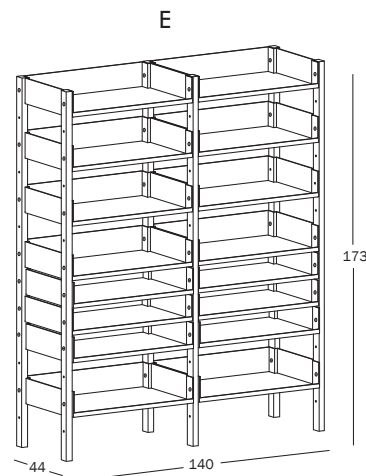
Composition B
n° 6 MT710
n° 4 MT720
n° 8 MT730



Composition C
n° 4 MT700
n° 2 MT710
n° 5 MT720
n° 10 MT730



Composition D
n° 4 MT700
n° 4 MT720
n° 5 MT730



Composition E
n° 6 MT700
n° 16 MT720