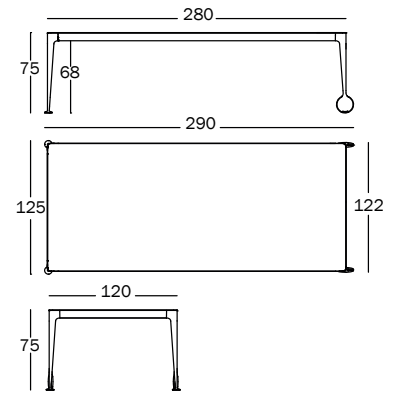



Big Will

Design Philippe Starck, 2015

Table 280x120 cm.

Legs in die-cast aluminium painted or polished. Crosspieces in aluminium painted. Tops in etched tempered glass glossy or matt finish. Wheels in rubber.

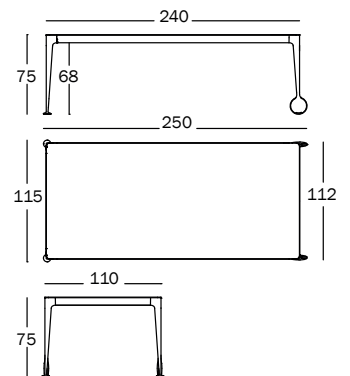


Packaged in wooden crate 
9403.90.10 | 2,1 m³ | 142,50 kg

Art. nr.	Frame in aluminium	Top in tempered glass	Wheels in rubber
TV3000	painted white 5110	matt white	orange
TV3002	painted black 5130	matt black	orange
TV3004	polished	glossy white	orange








Table 240x110 cm.

Legs in die-cast aluminium painted or polished. Crosspieces in aluminium painted. Tops in etched tempered glass glossy or matt finish. Wheels in rubber.



Packaged in wooden crate 
9403.90.10 | 1,69 m³ | 131,50 kg

Art. nr.	Frame in aluminium	Top in tempered glass	Wheels in rubber
TV3006	painted white 5110	matt white	orange
TV3008	painted black 5130	matt black	orange
TV3010	polished	glossy white	orange

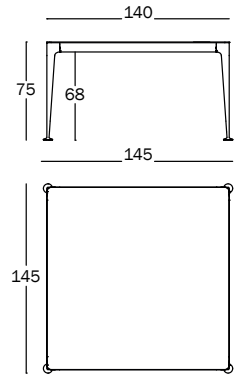
Frame in aluminium	Top in tempered glass	Wheels in rubber	Top thickness
 white 5110	 matt white	 orange	tempered glass: 10 mm
 black 5130	 matt black		
 polished	 glossy white		


Big Will

Design Philippe Starck, 2015

Table 140x140 cm.

Legs in die-cast aluminium polished.
Crosspieces in aluminium polished. Top in tempered glass glossy finish.
Feet in rubber.

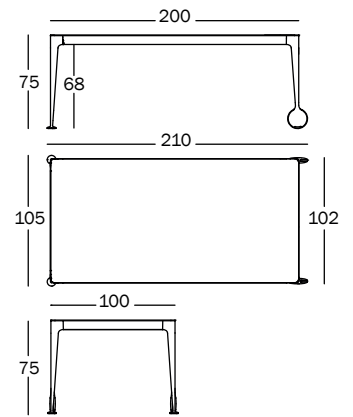


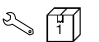
Packaged in wooden crate 
9403.90.10 | 1,28 m³ | 118,50 kg

Art. nr.	Frame in aluminium	Top in tempered glass	Feet in rubber
TV3022	polished	glossy white	black










Table 200x100 cm.

Legs in die-cast aluminium painted or polished. Crosspieces in aluminium painted.
Tops in etched tempered glass glossy or matt finish or in American walnut.
Wheels in rubber.



Packaged in wooden crate 
9403.90.10 | 1,32 m³ | 121,50 kg

Art. nr.	Frame in aluminium	Top	Wheels in rubber
TV3012	painted white 5110	tempered glass matt white	orange
TV3014	painted black 5130	tempered glass matt black	orange
TV3016	polished	tempered glass glossy white	orange
TV3142	painted black 5130	American walnut	black

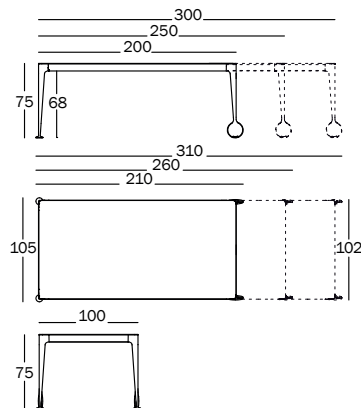
Frame in aluminium	Top	Wheels /feet in rubber	Top thickness
 white 5110	 tempered glass matt white	 orange	tempered glass: 10 mm
 black 5130	 tempered glass matt black	 black	American walnut: 25 mm
 polished	 tempered glass glossy white		
	 American walnut		

Big Will

Design Philippe Starck, 2015

Extending table.

Legs in die-cast aluminium painted or polished. Crosspieces in aluminium painted. Tops in etched tempered glass glossy or matt finish, in American walnut or in Gres marble (Calacatta, Marquinia). Leaf in MDF, painted matt or glossy. Wheels in rubber.



Packaged in wooden crate

9403.90.10 | 1,32 m³ | 142,00 kg

Art. nr.	Frame in aluminium	Top	Leaf in MDF	Wheels in rubber
TV3030	white 5110	tempered glass matt white	white 8500	orange
TV3032	black 5130	tempered glass matt black	black 8510	orange
TV3034	polished	tempered glass glossy white	white 8500	orange
TV3132	black 5130	American walnut	black 8510	black
TV3150	white 5110	bleached oak	white 8500	grey
TV3170	white 5110	gres marble white Calacatta	white 8500	grey
TV3172	black 5130	gres marble black Marquinia	black 8510	black

Frame in aluminium	Top	Wheels in rubber	Leaf in MDF	Top thickness
white 5110	tempered glass matt white	orange	white 8500	Tempered glass: 10 mm
black 5130	tempered glass matt black	black	black 8510	American walnut: 9 mm
polished	tempered glass glossy white	grey		Gres: 12 mm
	American walnut			
	bleached oak			
	gres marble white Calacatta			
	gres marble black Marquinia			