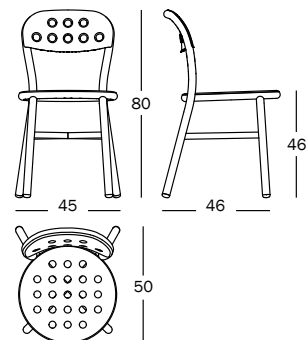


## Pipe

Design Jasper Morrison, 2009

### Stacking chair, suitable for outdoor use.

Frame in aluminium tube, painted in polyester powder. Seat and back in punched aluminium plate, painted in polyester powder.  
Trolley Magis available (p.303).



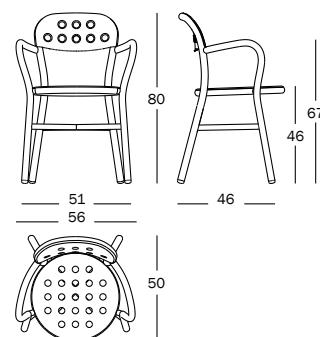
9401.79.00 | 0,281 m<sup>3</sup> | 9,50 kg

Art. nr.	Chair in aluminium
----------	--------------------

SD1000	colours
--------	---------

### Stacking chair with arms, suitable for outdoor use.

Frame in aluminium tube, painted in polyester powder. Seat and back in punched aluminium plate, painted in polyester powder.  
Trolley Magis available (p.303).




9401.79.00 | 0,378 m<sup>3</sup> | 10,70 kg


Art. nr.	Frame in aluminium	Seat and back in beech plywood
----------	--------------------	--------------------------------

SD1020	white 5107	light-coloured 7009
--------	------------	---------------------

SD1020	black 5130	dark-coloured 7055
--------	------------	--------------------

## Aluminium

 white 5107

 black 5130

### Test

Back impact test EN 15373:2007, L3  
Drop test EN 15373:2007, L3  
Leg forward static load test EN 15373:2007, L3  
Safety requirements EN 15373:2007, L3  
Seat and back static load test EN 15373:2007, L3  
Seat impact test EN 15373:2007, L3  
Vertical load on back rest EN 15373:2007, L3

Cycles of heat and humidity PTP 45:1995, no defect  
Information for use EN 15373:2007, L3  
Leg sideways static load test EN 15373:2007, L3  
Seat and back fatigue test EN 15373:2007, L3  
Seat front edge fatigue test EN 15373:2007, L3  
Stability EN 1022:2005