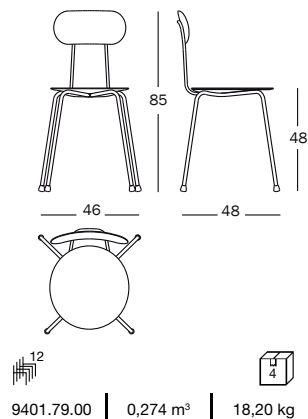


Mariolina

Design Enzo Mari, 2002,2022

Stacking chair.

Frame in chromed steel tube. Seat and back in polypropylene.



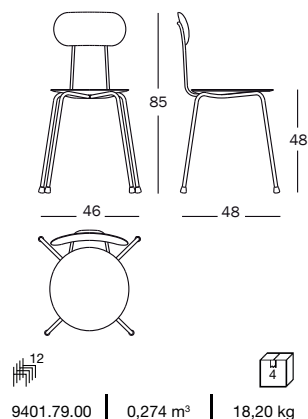
Art. nr.	Frame in steel tube	Seat/ back in polypropylene	Seat/ back clip
SD302	chromed	white 1700 C	grey
SD302	chromed	grey anthracite 1420 C	grey
SD302	chromed	orange 1085 C	beige
SD300	painted white	red bordeaux 1802 C	orange
SD300	painted white	light blue 1803 C	orange
SD300	painted grey anthracite	red bordeaux 1802 C	orange
SD300	painted grey anthracite	light blue 1803 C	orange

Mariolina Mono

Design Enzo Mari, 2020




Stacking chair.

Frame in steel tube painted. Seat and back in polypropylene.



Art. nr.	Frame in steel tube	Seat/ back in polypropylene	Seat/ back clip
SD302	painted white	white 1700 C	grey
SD302	painted grey anthracite	grey anthracite 1420 C	grey

Frame in steel tube

-  chromed
-  painted white
-  painted grey anthracite

Seat/ back in polypropylene

-  white 1700 C
-  grey anthracite 1420 C
-  orange 1085 C
-  light blue 1803 C
-  red bordeaux 1802 C

Seat/ back clip

-  beige
-  grey
-  orange

Test
 Back impact test UNI 10977/2002, L5
 Leg sideways static load test UNI 10977/2002, L5
 Seat impact test UNI 10977/2002, L5
 Leg forward static load test UNI 10977/2002, L5
 Seat and back static load test UNI 10977/2002, L5