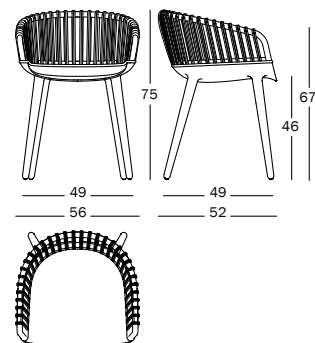


## Cyborg Club

Design Marcel Wanders, 2012

### Armchair.

Frame in polycarbonate. Back in wicker.  
Cushion available (p.23).



9401.80.00 | 0,386 m<sup>3</sup> | 9,20 kg

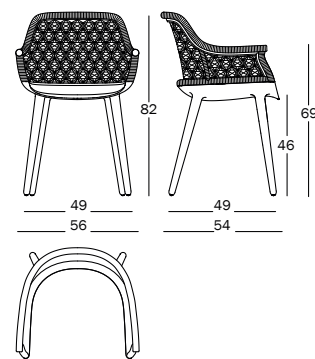
Art. nr.	Frame in polycarbonate	Back in wicker
SD1710	glossy white 1736 C	natural
SD1710	glossy black 1763 C	black

## Cyborg Elegant

Design Marcel Wanders, 2012

### Armchair.



Frame in polycarbonate. Back in wicker.  
Cushion available (p.23).



9401.80.00 | 0,386 m<sup>3</sup> | 9,20 kg

Art. nr.	Frame in polycarbonate	Back in wicker
SD1714	glossy white 1736 C	natural
SD1714	glossy black 1763 C	black

### Frame in polycarbonate

-  glossy white 1736 C
-  glossy black 1763 C

### Back in wicker (Cyborg Club)

-  natural
-  black

### Back in wicker (Cyborg Elegant)

-  black

#### Test Cyborg Club

Arm downwards static load test EN 15373:2007, L2  
Arm impact test EN 15373:2007, L2  
Back impact test EN 15373:2007, L2  
Leg forward static load test EN 15373:2007, L2  
Safety requirements EN 15373:2007  
Seat and back static load test EN 15373:2007, L2  
Seat impact test EN 15373:2007, L2  
Vertical load on back rest EN 15373:2007, L2  
Arm fatigue test EN 15373:2007, L2  
Arm sideways static load test EN 15373:2007, L2  
Information for use EN 15373:2007  
Leg sideways static load test EN 15373:2007, L2  
Seat and back fatigue test EN 15373:2007, L2  
Seat front edge fatigue test EN 15373:2007, L2  
Stability EN 1022:2005

#### Test Cyborg Elegant

Arm downwards static load test EN 15373:2007, L2  
Arm impact test EN 15373:2007, L2  
Back impact test EN 15373:2007, L2  
Leg forward static load test EN 15373:2007, L2  
Safety requirements EN 15373:2007  
Seat and back static load test EN 15373:2007, L2  
Seat impact test EN 15373:2007, L2  
Vertical load on back rest EN 15373:2007, L2  
Arm fatigue test EN 15373:2007, L2  
Arm sideways static load test EN 15373:2007, L2  
Information for use EN 15373:2007  
Leg sideways static load test EN 15373:2007, L2  
Seat and back fatigue test EN 15373:2007, L2  
Seat front edge fatigue test EN 15373:2007, L2  
Stability EN 1022:2005



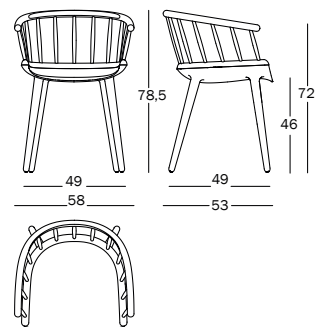
## Cyborg Stick

Design Marcel Wanders, 2013

### Armchair.

Frame in polycarbonate. Back in solid ash, natural or painted.

Cushion available (p.23).



9401.80.00 | 0,386 m<sup>3</sup> | 9,20 kg

Art. nr.	Frame in polycarbonate	Back in solid ash
SD1716	glossy white 1736 C	natural 7018
SD1716	glossy black 1763 C	black 7065

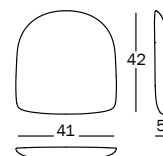
## Cyborg Cushion

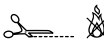
Design Marcel Wanders, 2015

### Seat cushion.

In expanded polyurethane (class 11M), covered in fabric (Kvadrat).



For SD1700, SD1710, SD1714, SD1716.





 9404.90.90 | 0,026 m<sup>3</sup> | 1,50 kg

Art. nr.	Cushion
SD1740	fabric

### Frame in polycarbonate

-  glossy white 1736 C
-  glossy black 1763 C

### Back in solid ash

-  natural 7018
-  black 7065

### Fabric

- Kvadrat Divina MD 613 / pink
- Kvadrat Divina MD 813 / sky blue
- Kvadrat Divina MD 943 / green
- Kvadrat Divina MD 203 / beige
- Kvadrat Divina Melange 180 / dark grey
- Kvadrat Remix 143 / grey
- Kvadrat Remix 612 / pink
- Kvadrat Remix 933 / green
- Kvadrat Remix 433 / ocher

### Test

Arm downwards static load test EN 15373:2007, L2  
 Arm impact test EN 15373:2007, L2  
 Back impact test EN 15373:2007, L2  
 Leg forward static load test EN 15373:2007, L2  
 Safety requirements EN 15373:2007  
 Seat and back static load test EN 15373:2007, L2  
 Seat impact test EN 15373:2007, L2  
 Vertical load on back rest EN 15373:2007, L2  
 Arm fatigue test EN 15373:2007, L2  
 Arm sideways static load test EN 15373:2007, L2  
 Information for use EN 15373:2007  
 Leg sideways static load test EN 15373:2007, L2  
 Seat and back fatigue test EN 15373:2007, L2  
 Seat front edge fatigue test EN 15373:2007, L2  
 Stability EN 1022:2005



Information on customer's own material from p.397