

Chair_One

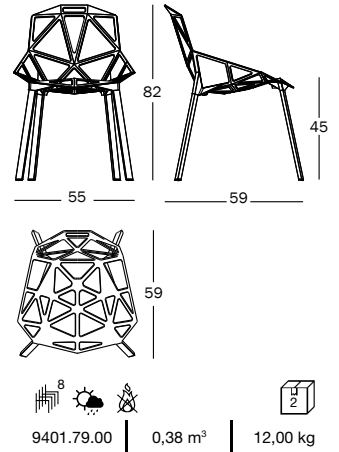
Design Konstantin Grcic, 2003

Stackable chair, suitable for outdoor use.

Legs in anodised aluminium black. Seat in die-cast aluminium, treated with sputtered fluorinated titanium and painted in polyester powder.

Cushion available (p.20).

Trolley Magis available (p.303).



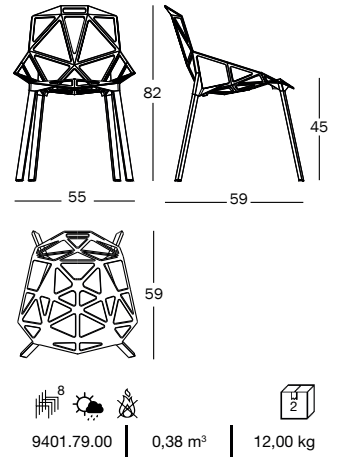
Art. nr.	Legs in anodised aluminium	Seat in painted aluminium
SD460	natural	colours cat.1
SD461	black	colour cat.2

Stackable chair, suitable for outdoor use.

Legs in painted aluminium. Seat in die-cast aluminium, treated with sputtered fluorinated titanium and painted in polyester powder.

Cushion available (p.20).

Trolley Magis available (p.303).



Art. nr.	Painted aluminium
SD5460	colours cat.3

Anodised aluminium Painted aluminium

- black 5130
- white 5286
- blush 5284
- mint 5285
- purple 5283
- black5130
- red 5085

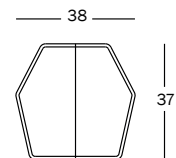
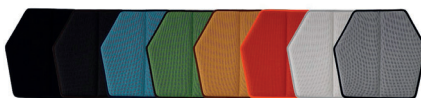
Test
 ANSI/BIFMA X5.1-2011
 Leg forward static load test UNI 10977/2002, L5
 Seat and back fatigue test UNI 10977/2002, L5
 Seat front edge fatigue test UNI 10977/2002, L5
 Back impact test UNI 10977/2002, L5
 Leg sideways static load test UNI 10977/2002, L5
 Seat and back static load test UNI 10977/2002, L5
 Seat impact test UNI 10977/2002, L5



Chair_One Cushion
Design Konstantin Grcic, 2003

Seat cushion.

In expanded polyurethane (class 1IM), covered in fabric or leather.

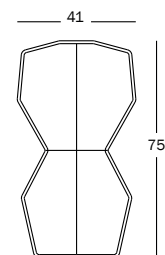


9404.90.90 | 0,015 m³ | 1,16 kg

Art. nr.	Seat cushion
SD480	fabric cat.1 and 2
SD484	leather

Seat and back cushion.

In expanded polyurethane (class 1IM), covered in fabric or leather.

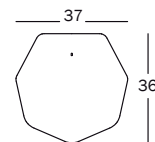
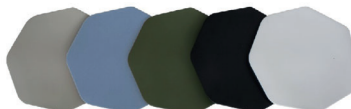


9404.90.90 | 0,015 m³ | 2,06 kg

Art. nr.	Seat and back cushion
SD482	fabric cat.1 and 2
SD486	leather

Seat cushion, suitable for outdoor use.

In polyurethane.



9404.90.90 | 0,015 m³ | 1,46 kg

Art. nr.	Seat cushion in polyurethane
SD5480	colours

Fabric cat.1	Fabric cat.2	Leather	Polyurethane
Kvadrat Steelcut Trio 533 / orange	Kvadrat Steelcut 3 190 / black	L-0110 brown	white 1773
Kvadrat Steelcut Trio 983 / light blue		L-0120 black	black 1774
Kvadrat Steelcut Trio 205 / beige			grey 1775 (*)
Kvadrat Steelcut Trio 953 / green			blue 1776 (*)
Kvadrat Steelcut Trio 453 / yellow			grey/green 1777 (*)
Kvadrat Steelcut Trio 133 / light grey			
Kvadrat Steelcut Trio 383 / dark brown			