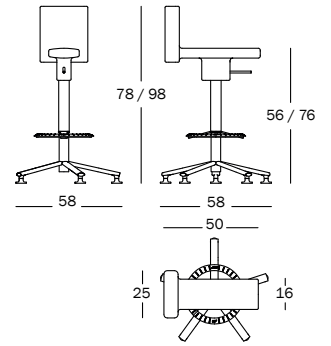


**360°**

Design Konstantin Grcic, 2009

**Swivel stool.**

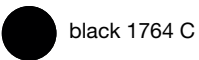
Adjustable in height with gas piston. Frame in steel painted in epoxy resin. Foot-rest in die-cast aluminium. Seat in integral self-bearing polyurethane.



9401.30.00 | 0,289 m<sup>3</sup> | 14,50 kg

Art. nr.	Stool
SD1544	black 1764 C

**Colour**



**Test**  
Arm fatigue test EN 15373:2007, L3  
Back impact test EN 15373:2007, L3  
Foot rest static load test EN 1728:2000, L3  
Seat and back fatigue test EN 15373:2007, L3  
Seat front edge durability test EN 15373:2007, L3  
Stability EN 1335-3:2009  
Arm impact test EN 15373:2007, L3  
Foot rest fatigue test EN 15373:2007, L3  
Safety requirements EN 15373:2007, L3  
Seat and back static load test EN 1728:2000, L3  
Seat impact test EN 15373:2007, L3  
Vertical load on back rest EN 15373:2007, L3