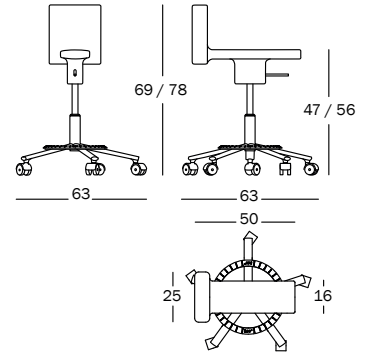


360°

Design Konstantin Grcic, 2009

Swivel chair on 5 wheels.

Adjustable in height with gas piston. Frame in steel painted in epoxy resin. Foot-rest in die-cast aluminium. Seat in integral self-bearing polyurethane.



9401.30.00 | 0,259 m³ | 13,00 kg



Art. nr.

Chair

SD1540

black 1764 C

Colour



black 1764 C

Test

Arm fatigue test EN 15373:2007, L3
Back impact test EN 15373:2007, L3
Foot rest static load test EN 1728:2000, L3
Seat and back static load test EN 1728:2000, L3
Seat impact test EN 15373:2007, L3
Vertical load on back rest EN 15373:2007, L3
Arm impact test EN 15373:2007, L3
Foot rest fatigue test EN 15373:2007, L3
Seat and back fatigue test EN 15373:2007, L3
Seat front edge durability test EN 15373:2007, L3
Stability EN 1335-3:2000